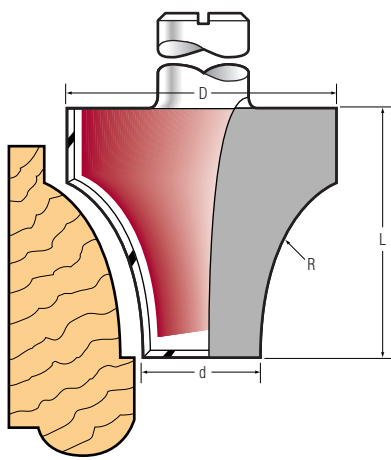


Sash Bar & Picture Rail Cutters

TCT Picture Rail

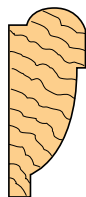


PR2

n. max
18,000



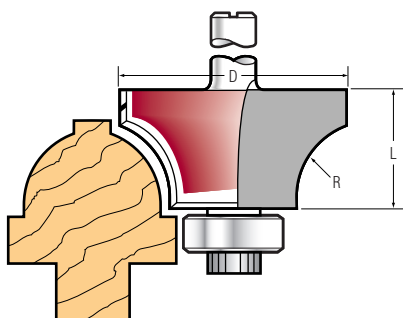
BG-TEST
145-001



A perfect cutter for picture rail and architrave work. By careful use on a router table, skirting can be produced to compliment the architrave design.

Order Ref. No.	Dmm	Lmm	dmm	Rmm	Shank	
					12mm	1/2"
PR2	36	33	16	20	£71.00	£71.00

TCT Sash Bar Ovolo



SB01

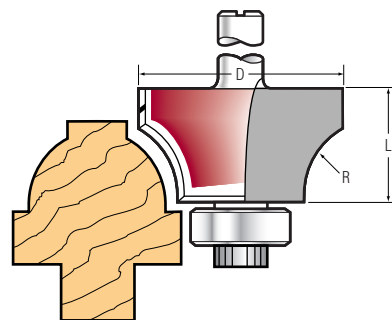
n. max
24,000



BG-TEST
145-001

Designed for finer glazing work, i.e. sunray style Georgian windows. Smaller or larger bearings can be fitted please contact our sales department.

Order Ref. No.	Dmm	Lmm	Rmm	Bearing Dia. mm	Shank	
					1/4"	1/2"
SB01	30	15.5	10	12.7	£50.00	£50.00
B127	Replacement Bearing				£6.00	



SB02

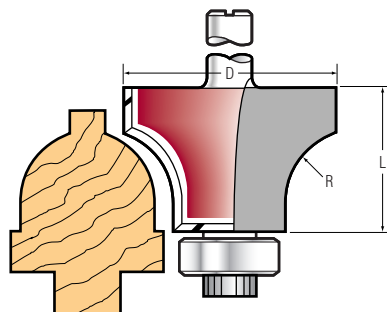
n. max
24,000



BG-TEST
145-001

A flatter Ovolo than the SB01. Smaller or larger bearings can be fitted please contact our sales department.

Order Ref. No.	Dmm	Lmm	Rmm	Bearing Diameter mm	Shank	
					1/4"	1/2"
SB02	27	15	10	12.7	£50.00	£50.00
B127	Replacement Bearing				£6.00	



SB03

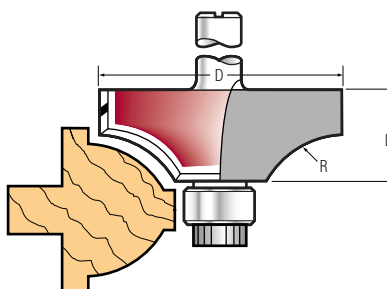
n. max
24,000



BG-TEST
145-001

Very popular glazing profile - traditional Georgian window style. Smaller or larger bearings can be fitted please contact our sales department.

Order Ref. No.	Dmm	Lmm	Rmm	Bearing Dia. mm	Shank	
					1/4"	1/2"
SB03	28	19	10	12.7	£50.00	£50.00
B127	Replacement Bearing				£56.00	



SB04

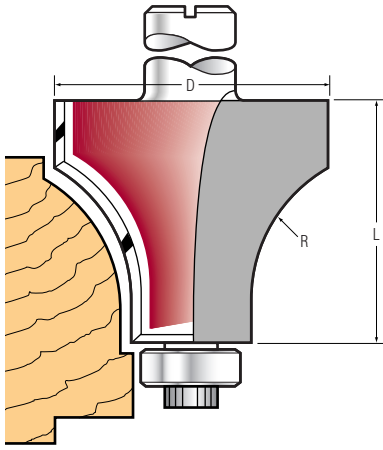
n. max
24,000



BG-TEST
145-001

A flat version of SB01, 2, and 3.

Order Ref. No.	Dmm	Lmm	Rmm	Bearing Dia. mm	Shank	
					1/4"	1/2"
SB04	32	12	12	9.5	£50.00	£50.00
B37514	Replacement Bearing				£9.00	



This larger SBO cutter is ideal for glazing bars on heavy hardwood door or window construction.

Ideal for skirting board moulding. Smaller or larger bearings can be fitted please contact our sales department.

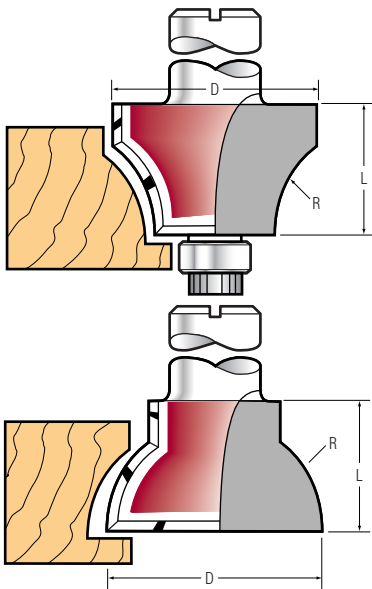
SB05

n.max
24,000



BG-TEST
145-001

Order Ref. No.	Dmm	Lmm	Rmm	Bearing Dia. mm	Shank 1/2"
SB05	36	32	20	12.7	£80.00
B127	Replacement Bearing				£6.00



Smaller or larger bearings can be fitted please contact our sales department.

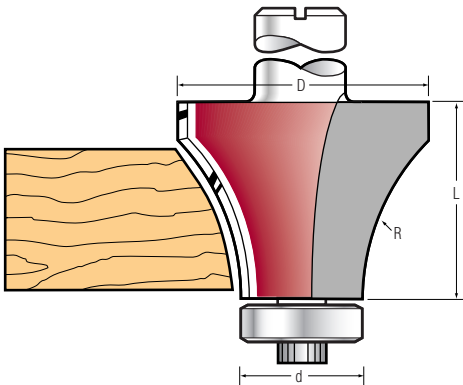
SB06

n.max
24,000



BG-TEST
145-001

Order Ref. No.	Dmm	Lmm	Rmm	Bearing Diameter	Shank 1/4"	Shank 1/2"
SB06	27	17	17	9.5	£76.00	£76.00
RSB06	28.5	20	17	-	-	£45.00
B37514	Replacement Bearing				£9.00	



SB030

n.max
24,000

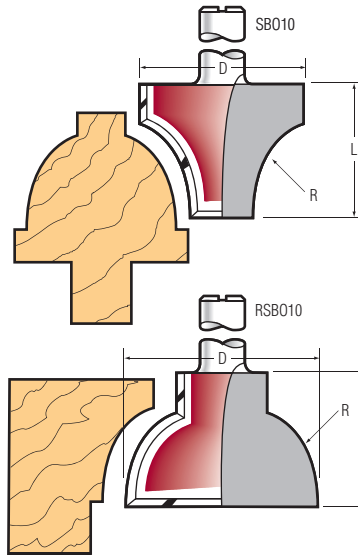


BG-TEST
145-001

Order Ref. No.	Dmm	Lmm	Rmm	Bearing Dia. mm	Shank 12mm
SB030	33	26	30	16	£59.00
B16	Replacement Bearing				£7.00

Use smaller bearings to produce quirk.

TCT Sash Bar Ovolo & Reverse



**SB010
RSB010**

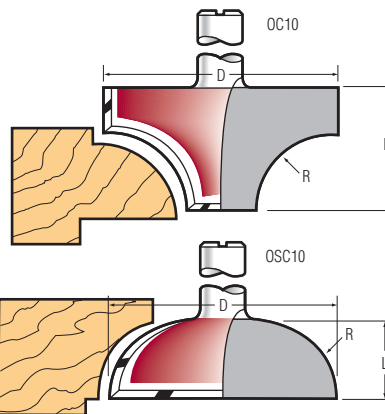
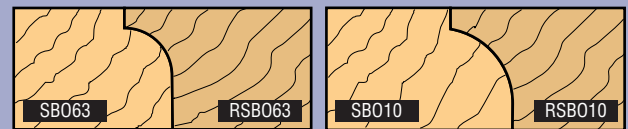
n.max
24,000



BG-TEST
145-001

A **Georgian Ovolo Effect**. This matching set is essential for faithful matching of Georgian window repair of production.

Order Ref. No.	Dmm	Lmm	Rmm	Shank			
				6mm	1/4"	8mm	1/2"
SB063	22.5	13	6.3	-	£39.00	-	£39.00
RSB063	25	13	6.3	-	£47.00	-	£47.00
SB010	22.5	18	10	£45.00	£45.00	£45.00	£45.00
RSB010	25	18	10	£48.00	£48.00	£48.00	£48.00



**OC10
OSC10**

n.max
24,000

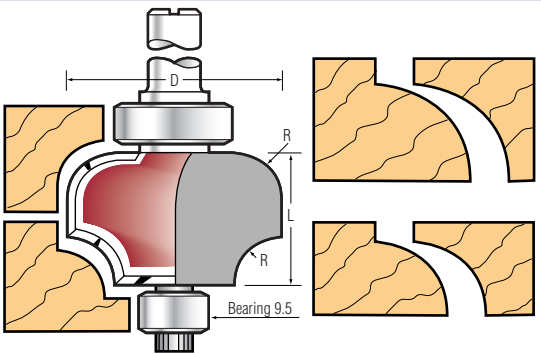


BG-TEST
145-001

A **Roman Ovolo Effect**. This matching set is essential for faithful matching of Georgian window repair of production. *See page 27 for full Ovolo Range.*


Order Ref. No.	Dmm	Lmm	Rmm	Shank	
				1/4"	1/2"
OC10	31	16	10	£45.00	£45.00
OSC10	30	10	10	£50.00	£50.00

TCT Ovolo/Rounding with bearing



OJ635

n.max 18,000



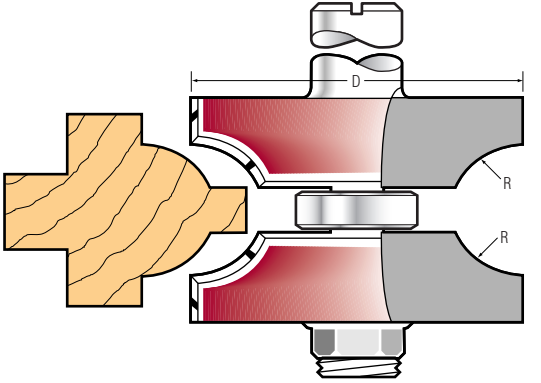
BG-TEST 145-001

The two in one cutter for ovolos and rounding overs. Ideal for Rule Joints. Supplied with three bearings.

Order Ref. No.	Dmm	Lmm	Rmm	Shank	
				8mm	1/2"
OJ635	28.7	17.7	6.35	£48.00	-
OJ95	35	25.5	9.5	£53.00	-
OJ127	44.5	33.4	12.7	-	£59.00
B37514	Replacement bearing 9.5mm			£9.00	
B127	Replacement bearing 12.7mm			£6.00	
B19	Replacement bearing 19mm			£7.00	

TCT SBPS10 & SBSS10

SBPS10 and SBSS10 are designed to produce the mould and scribe on window and door glazing bars. To prevent breakout scribe the joint before profiling the mould.



SBPS10

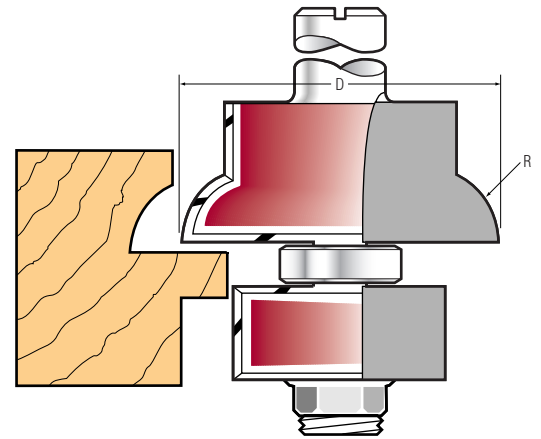
n.max 18,000





BG-TEST 145-001

Order Ref. No.		Dmm	Rmm	Shank 1/2"
SBPS10	Bearing Guide for smooth cut & finish	44	10	£140.00
B16	Replacement Bearing			£7.00



SBSS10

n.max 18,000

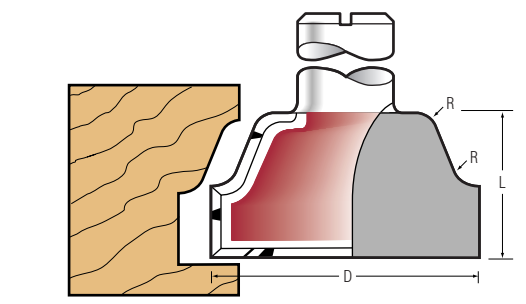
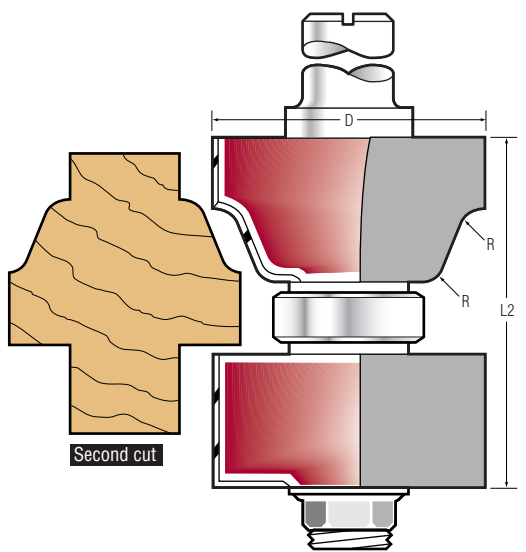
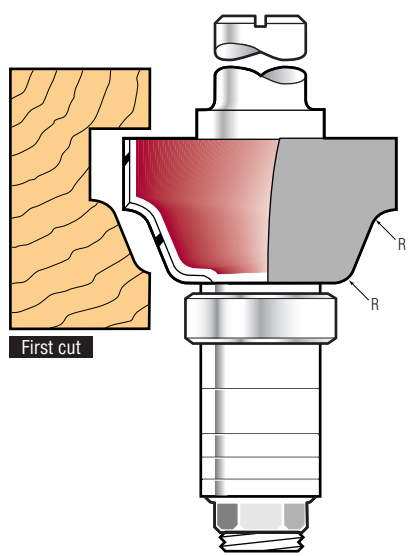




BG-TEST 145-001

Order Ref. No.		Dmm	Rmm	Shank 1/2"
SBSS10	Bearing Guide for smooth cut & finish	42	10	£140.00
B16	Replacement Bearing			£7.00

TCT Lambs Tongue Sash Bar Sets



LTSB3

n.max 18,000



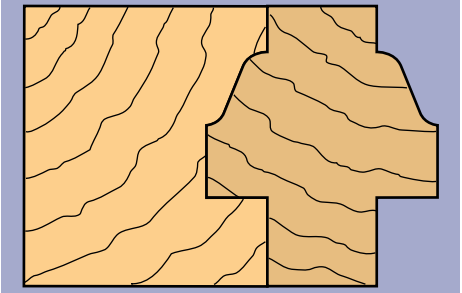


BG-TEST 145-001

This two piece set will produce a lambs tongue sash bar and scribe. To suit material 40-42mm thickness. To profile add the rebate block on to the arbor.

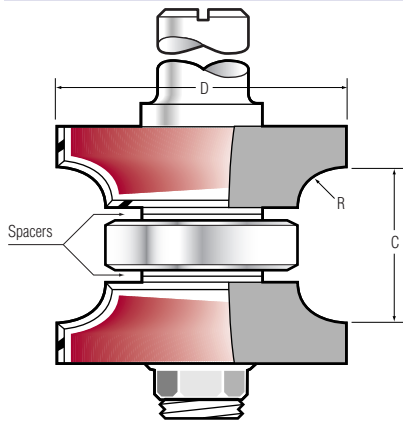
For use with fixed router, or under-mounted on a router table.

Order Ref. No.	Dmm	Lmm	Rmm	Bearing Dia Radius mm	Shank 1/2"
LTSB3	35	46	3	22	£110.00
LTSC	35	18	3		£55.00
B228	Replacement Bearing				£7.00



Because the LTSC has an extra long shank use under-mounted in a router table.

TCT Rounding Over Set with bearing



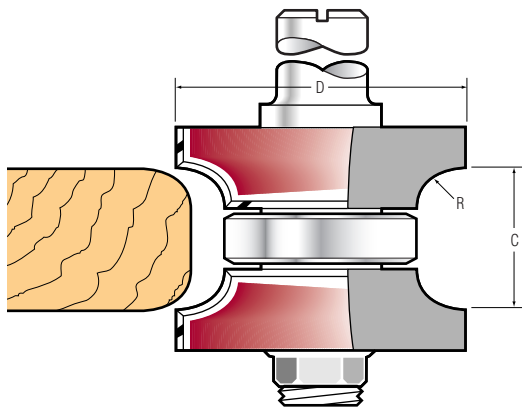
These (2) four wing cutters provide a rounding over effect top and bottom - by changing bearing to a B25 an ovolo effect is created.

The **38 Set** comes complete with arbor spacers and a B2838 bearing.

The **ROS38** is supplied with a range of shims.

For extra shims please contact the **Titman Sales Office 01255 220123**.

Extra spacers open the cutters to a maximum distance of 32mm at 'C'.

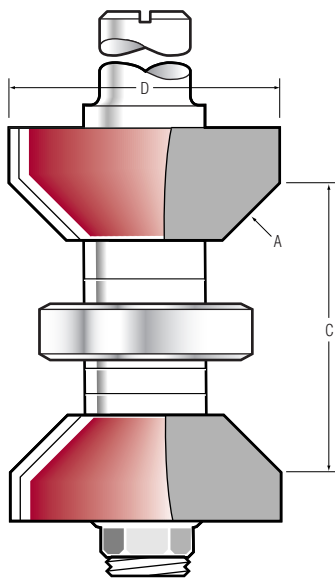


ROS38

n. max
18,000



BG-TEST
145-001



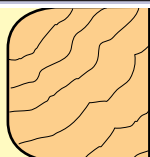
BCS38

n. max
18,000

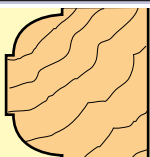


BG-TEST
145-002

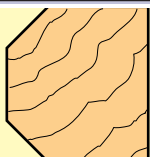
Order Ref. No.	Dmm	Cmm	Rmm	A	Bearing	Shank		
						8mm	12mm	1/2"
ROS22	22	11-22	2.5	45	B16	£75.00	£75.00	-
ROS38	38	16-32	5	-		£78.00	£78.00	
BCS38	-	16-32	-	45		£78.00	£78.00	
B2838	Replacement Bearing D=28 d=95					£8.00		
B25	Replacement Bearing D=25 d=95					£10.00		
B16	Replacement Bearing D=16 d=6.35					£6.00		
B875	Replacement Bearing D=28 d=95 (use with BCS38)					£7.00		



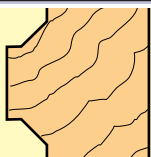
The ROS38 with a B28 bearing



The ROS38 with a B25 bearing



The BCS38 with a B25 bearing

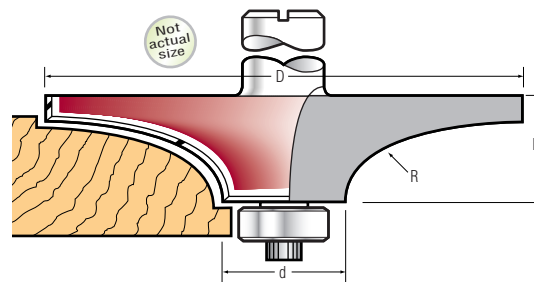


The BCS38 with a B875 bearing

Titman Tip The **ROS38/BCS38** performs satisfactorily when used on Corian® in conjunction with a PB28 nylon shielded bearing.

When ordering please state if for cutting Corian®.

TCT Thumb Mould with bearing



THM70

n. max
16,000



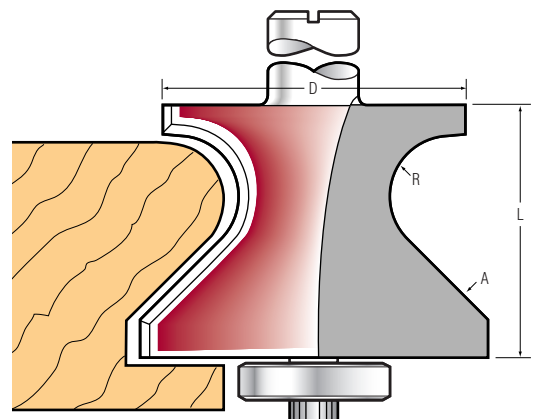
BG-TEST
145-001

The traditional thumb mould cutter with guide bearing ideal for architraves and skirting boards. Fixed head machines only - **not on portables**.

THM70 is supplied with B16 bearing. THM80 supplied with B127 bearing.

Order Ref. No.	Dmm	dmm	Lmm	Rmm	R depth mm	Shank		
						1/2"	9/16"	
THM70	70	18	16	16	12	£98.00	£98.00	
THM80	82.7	12.7	19	51	13	£137.00	-	
B127	Replacement bearing						£6.00	
B16	Replacement bearing						£6.00	

TCT Two Flute Tapered Profile

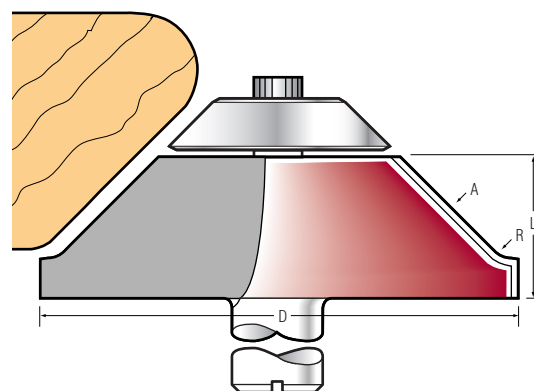


WTP1

n. max
18,000



BG-TEST
145-001



WTP2

n. max
18,000



BG-TEST
145-001

Order Ref. No.	Dmm	Lmm	Rmm	A	Shank	
					12mm	
WTP1	46	33	8	45°	£105.00	
WTP2	63	19	3	45°	£87.00	
TBWTP	Replacement bearing					£7.00
B19	Replacement bearing					£7.00