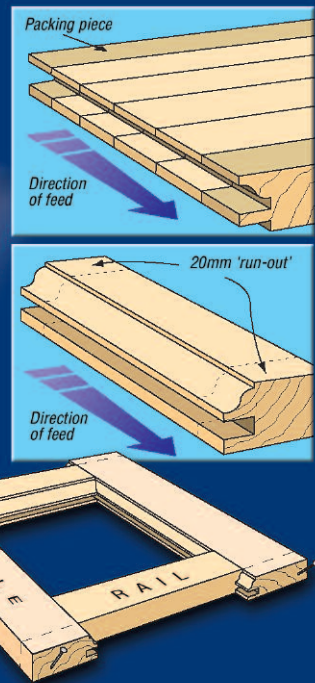


# Profile & Scribe Sets

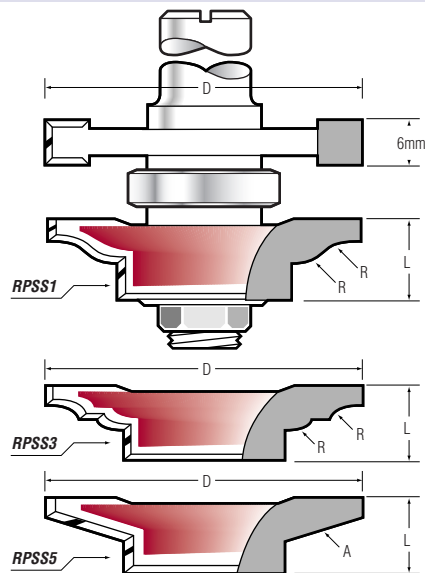


These tools are a Titman innovation and have been most popular since their inception, saving many tradesmen time and money producing door frames for kitchen and furniture units.

The term 'fielded panel set' denotes the matching of stiles and rails to produce the framework used to encase a raised or fielded panel, popular on kitchen, dining room and lounge furniture.

Suitable for up to 1 inch nominal material.

## TCT Raised Panel Scribe Set



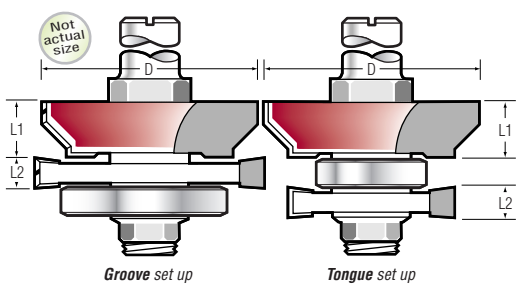
RPSS set

n.max  
18,000



BG-TEST  
145-001

## TCT Matching Cutter Sets



MCS45

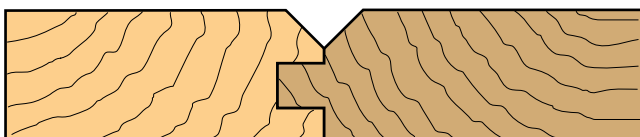
n.max  
18,000



BG-TEST  
145-001

Cutter supplied complete with B228 and B34/8 bearings.  
A cutter for producing T & G matching.  
Minimum material thickness 15mm. Maximum material thickness 18mm.

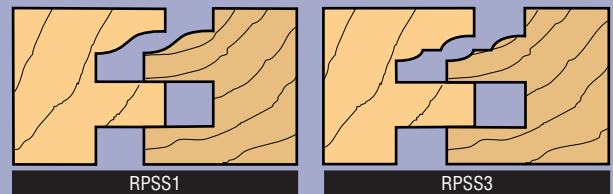
Order Ref. No.	Dmm	L1mm	L2mm	Shank	
				12mm	1/2"
MCS45	44	11	-	£128.00	£128.00
Groover 1	47	-	6		£33.00
Groover 2	34	-	6		£30.00
Arbor					£15.00
B228	Replacement Bearing				£7.00
B34/8	Replacement Bearing				£8.00



For short production runs only. For larger production runs contact Titmans for availability of grooving sets for a spindle moulder.

Profile Scribe Set offering 3 profiles in one arbor. The set supplied as illustration A. Offering part no RPSS1 plus profiles to produce RPSS3 and RPSS5. Extra shims supplied. Set supplied in a plastic box. See pages 54-55 for sizes and dimensions.

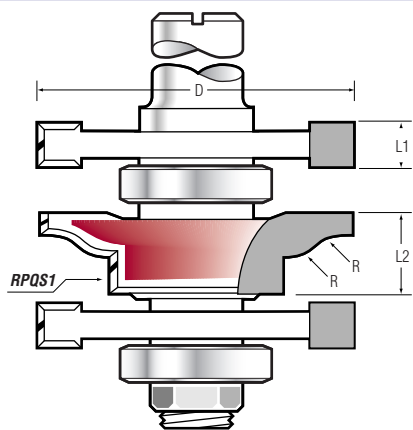
Order Ref. No.	Shank 1/2"	
RPSS Set	1/2" shank diameter	£210.00
Arbor		£15.00



### TCT raised panel scribe set:

1 x RPSS1 profile    1 x RPSS3 profile    1 x RPSS5 profile    1 x arbor  
1 x 6mm groover    1 x B228 bearing    shims - spacers

## TCT Raised Panel 'Quick' Set



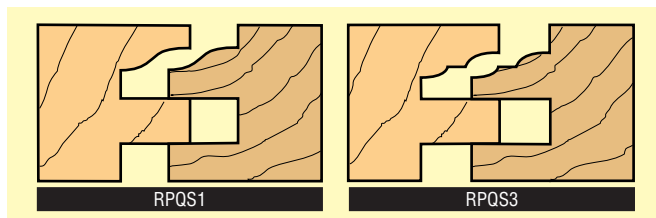
**RPQS set**

n.max 18,000

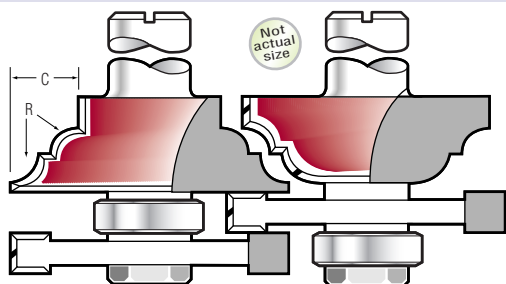
BG-TEST 145-001

A quick solution, no reassembly required. Change the cutter height to cut both parts of the joint. For resharpening or replacement parts contact our sales office.

Order Ref. No.	Dmm	Rmm	A	L1mm	L2mm	Shank 1/2"
RPQS1	41	4	-	6	11	£115.00
RPQS3	41	3.5	-	6	11	£115.00
RPQS5	41	-	10°	6	11	£115.00



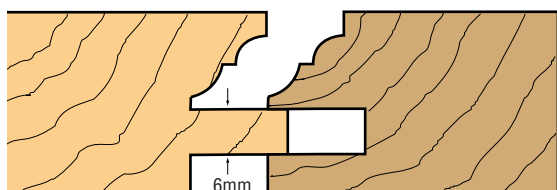
## TCT Profile & Scribe Set (two cutters)



**FPS2 SFPS2**

n.max 18,000

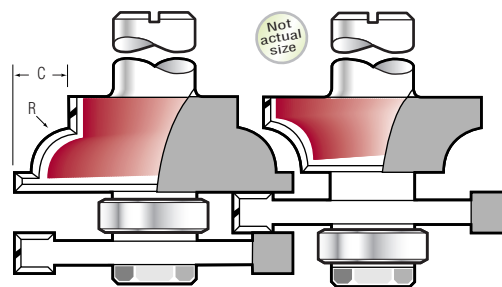
BG-TEST 145-001



Order Ref. No.	Cmm	Rmm	8mm	Shank 12mm	1/2"
SFPS2	10	4+4	£110.00	£110.00	£110.00
FPS2	10	4+4	£105.00	£105.00	£105.00

### Replacement Spares

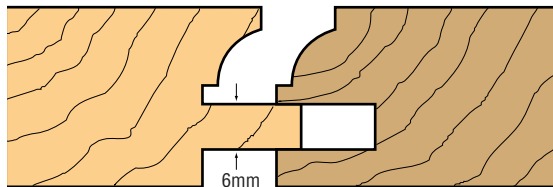
Order Ref. No		8mm	3/8"	1/2"
FPA	Replacement Arbor	£15.00	£15.00	£15.00
SFPSG	Replacement Groover			£45.00
FPSG	Replacement Groover			£45.00
B16	Replacement Bearing			£7.00



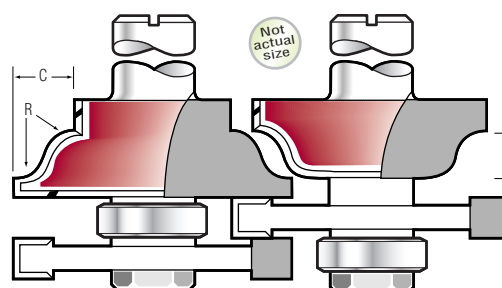
**FPS3 SFPS3**

n.max 18,000

BG-TEST 145-001



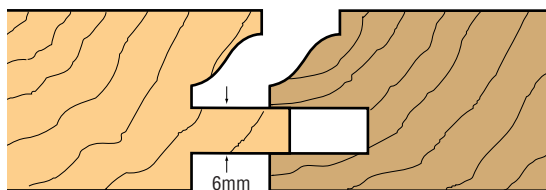
Order Ref. No.	Cmm	Rmm	8mm	Shank 12mm	1/2"
SFPS3	8	6.3	£110.00	£110.00	£110.00
FPS3	8	6.3	£105.00	£105.00	£105.00



**FPS4 SFPS4**

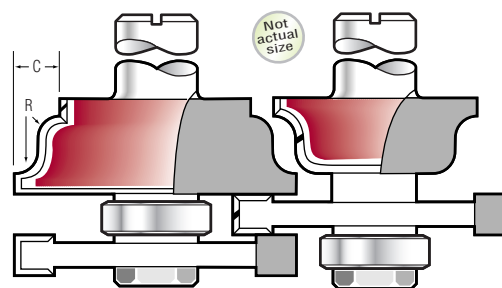
n.max 18,000

BG-TEST 145-001



See FPS7 for deeper cut.

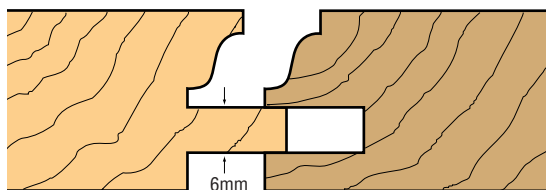
Order Ref. No.	Lmm	Cmm	Rmm	8mm	Shank 12mm	1/2"
SFPS4	5	8	4	£110.00	£110.00	£110.00
FPS4	5	8	4	£105.00	£105.00	£105.00



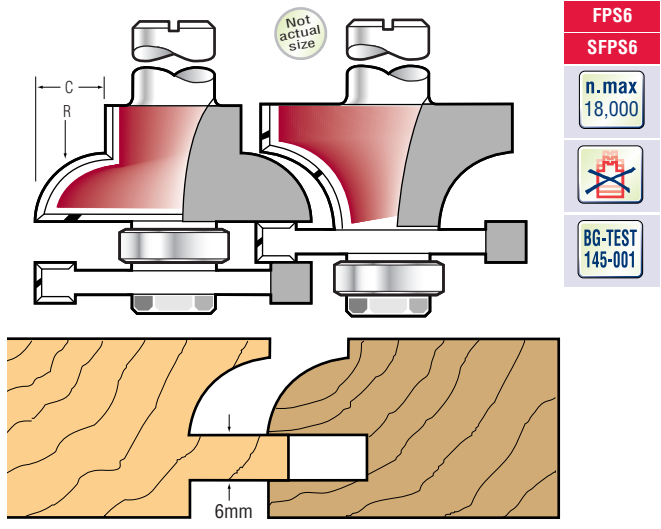
**FPS5 SFPS5**

n.max 18,000

BG-TEST 145-001



Order Ref. No.	Cmm	Rmm	8mm	Shank 12mm	1/2"
SFPS5	6.4	3.2	£110.00	£110.00	£110.00
FPS5	6.4	3.2	£105.00	£105.00	£105.00

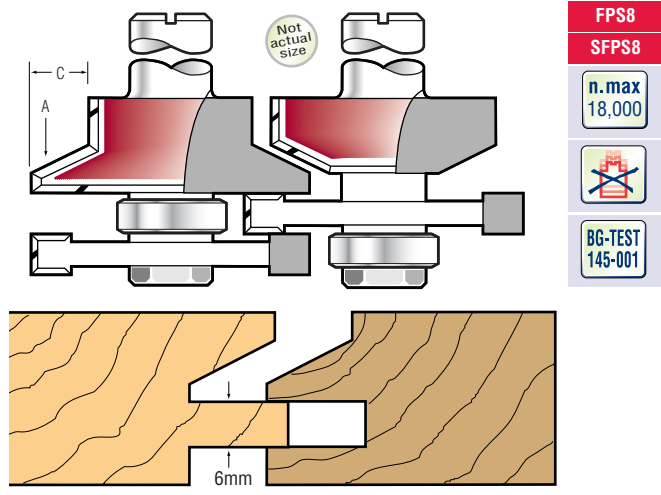


**FPS6**  
**SFPS6**

n. max  
18,000

**BG-TEST**  
145-001

Order Ref. No.	Cmm	Rmm	8mm	Shank 12mm	1/2"
SFPS6	10	10	£110.00	£110.00	£110.00
FPS6	10	10	£105.00	£105.00	£105.00

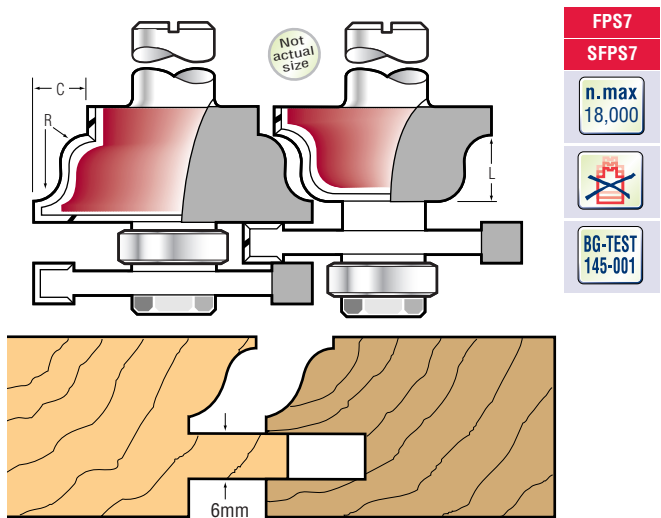


**FPS8**  
**SFPS8**

n. max  
18,000

**BG-TEST**  
145-001

Order Ref. No.	Cmm	A	8mm	Shank 12mm	1/2"
SFPS8	10	20°	£110.00	£110.00	£110.00
FPS8	10	20°	£105.00	£105.00	£105.00



**FPS7**  
**SFPS7**

n. max  
18,000

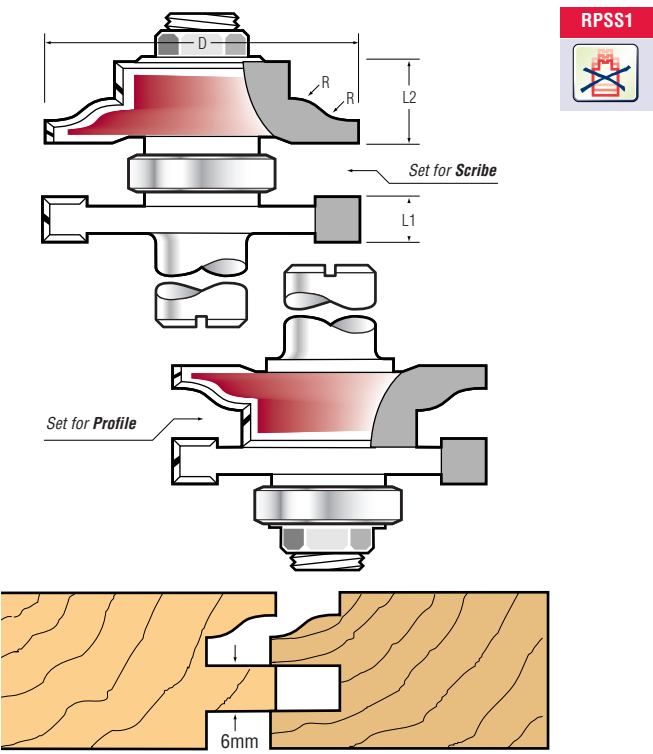
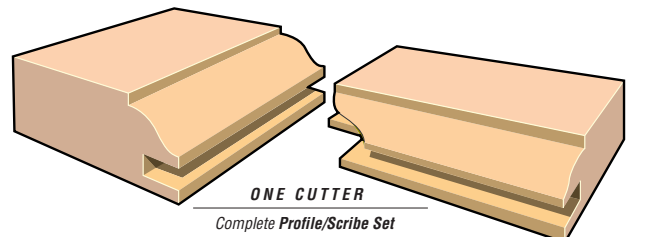
**BG-TEST**  
145-001

See FPS4 for shallower cut.

Order Ref. No.	Lmm	Cmm	Rmm	8mm	Shank 12mm	1/2"
SFPS7	8	8	4	£110.00	£110.00	£110.00
FPS7	8	8	4	£105.00	£105.00	£105.00

### TCT Profile & Scribe Classic Sets

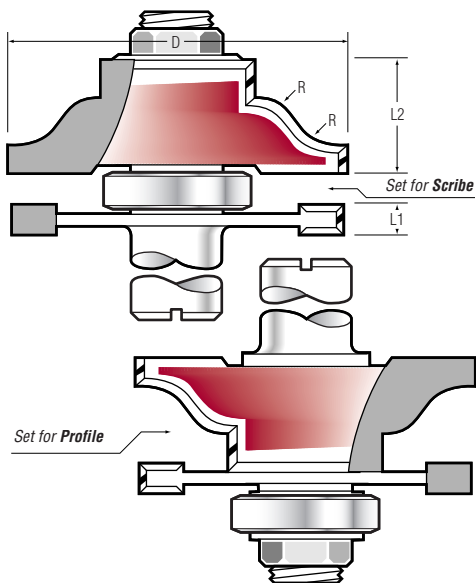
Titman Profile/Scriber Sets are mounted on one arbor. The cutting edges are situated on the arbor to either cut the 'profile' or the 'scribe'. A side fence is not required, as the bearing guide gives accurate depth every time.



**RPSS1**

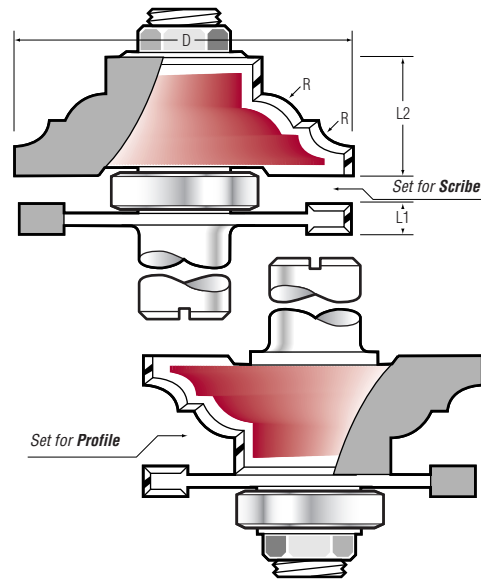
Order Ref. No.	Dmm	L1	L2	R	Recommended timber thicknessmm	8mm	Shank 12mm	1/2"
RPSS1	41	6	11	4	20	£99.00	£99.00	£99.00





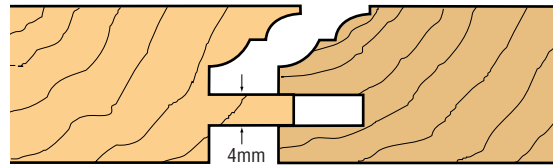
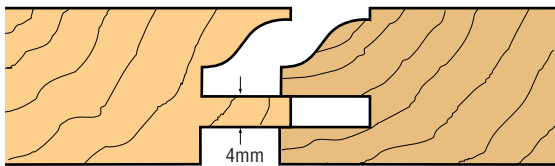
**RPSS2**

n.max  
18,000



**RPSS4**

n.max  
18,000

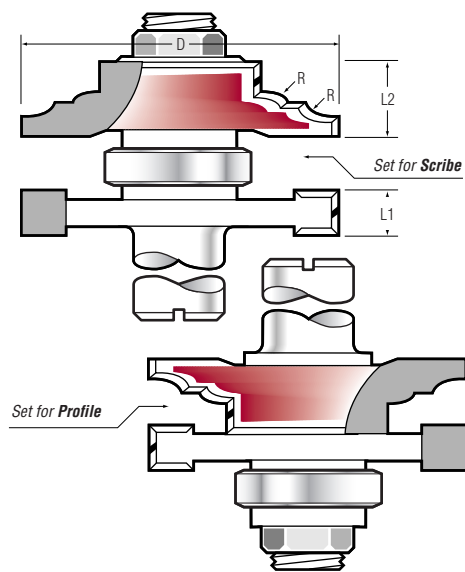


**Classic Set**

Order Ref. No.	Dmm	L1 mm	L2 mm	R mm	Recommended timber thickness	8mm	Shank 12mm	1/2"
RPSS2	45	4	15	5.9	22mm	£99.00	£99.00	£99.00

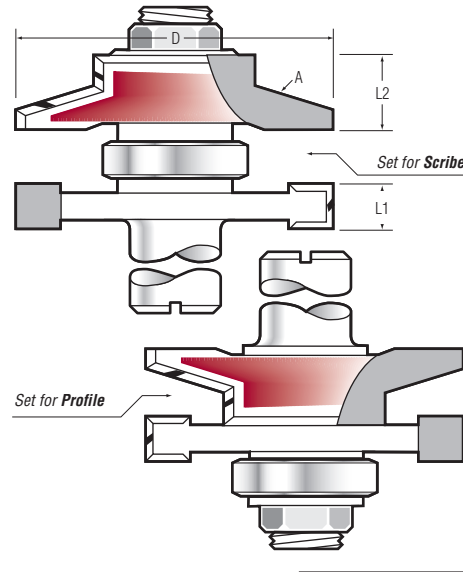
**Classic Decor Set**

Order Ref. No.	Dmm	L1 mm	L2 mm	R mm	Recommended timber thickness	8mm	Shank 12mm	1/2"
RPSS4	46	4	15	4.7	22mm	£99.00	£99.00	£99.00



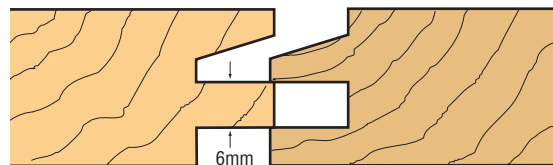
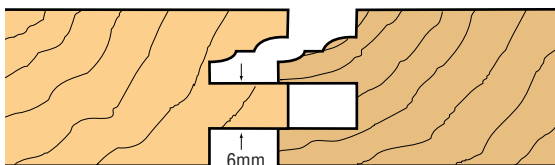
**RPSS3**

n.max  
18,000



**RPSS5**

n.max  
18,000



**Flat Classic Set**

Order Ref. No.	Dmm	L1 mm	L2 mm	R mm	Recommended timber thickness	8mm	Shank 12mm	1/2"
RPSS3	41	6	11	3.5	20mm	£99.00	£99.00	£99.00

**Classic Set**

Order Ref. No.	Dmm	L1 mm	L2 mm	R mm	Recommended timber thickness	8mm	Shank 12mm	1/2"
RPSS5	41	6	11	10°	20mm	£99.00	£99.00	£99.00

**Replacement Spares**

Order Ref. No			
RPSSA	Replacement Arbor	1/2"	£20.00

Profile and scribe with one cutter.  
This group will **profile 'A'** and **scribe 'B'**.

One of our **HDG Range** of groovers will cut, groove or rebate 'C'.

Careful selection of our **HDG Range** will enable the correct groove to be produced.



See page 101 for HDG Range.  
For extra reach when used on a router table these shanks are 75mm long.

## TCT Profile and Scribe

**PRO1**

n. max 18,000

BG-TEST 145-001

For drop leaf hinging      Scribe joint      Scribe and tenon joint

**PRO2**

n. max 18,000

BG-TEST 145-001

For drop leaf hinging      Scribe joint      Scribe and tenon joint

**PRO3**

n. max 18,000

BG-TEST 145-001

For drop leaf hinging      Scribe joint      Scribe and tenon joint

Order Ref. No.	Dmm	dmm	A/Rmm	OLmm	L1mm	L2mm	L3mm	L4mm	Shank 1/2"
PRO1	50	24	5+5	96	13	4	7	21	£95.00
PRO2	50	24	8+8	93	13	4	7	18	£95.00
PRO3	50	20	25°	95	15	4	7	20	£95.00
PRO4	50	22	5+5	96	14	6	7	21	£95.00
PRO5	50	20	5+5	96	14	6	7	21	£95.00
PRO6	50	20	2+2	92	15	4	7	17	£95.00

**PRO4**

n. max 18,000

BG-TEST 145-001

For drop leaf hinging      Scribe joint      Scribe and tenon joint

### Titman Tip

The PRO Range of cutters are ideal when used in conjunction with the Titman Router Table when used under mounted as a spindle moulder.

**PRO5**

n. max 18,000

BG-TEST 145-001

For drop leaf hinging      Scribe joint      Scribe and tenon joint

Non-plunging but with bottom cut facility

**PRO6**

n. max 18,000

BG-TEST 145-001

For drop leaf hinging      Scribe joint      Scribe and tenon joint

Non-plunging but with bottom cut facility