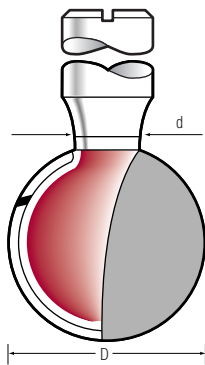


T-Slot & Ball Slots

TCT Ball Groover single flute

A range of single flute ball slot cutters designed for pipe and cable laying into timber and MDF.

Important - cut neck slot first, do not run on neck but use a side fence or guide.
NB. The neck does not cut.



TSB254

n.max
24,000

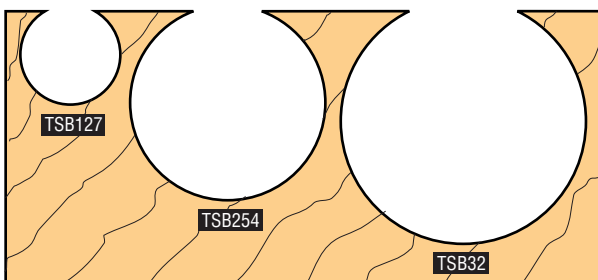


BG-TEST
145-001

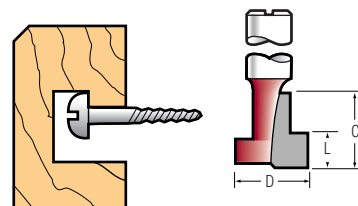
Order Ref. No.	Dmm	Neck dmm	6mm	1/4"	Shank 8mm	12mm	1/2"
TSB5	5	3	£48.00	-	-	-	-
TSB12	12	4	-	£37.00	-	-	-
TSB127	12.7	6.5	-	-	£37.00	-	£37.00
TSB254	25.4	9	-	-	-	£46.00	£46.00
TSB32	32	12.7	-	-	-	£55.00	£55.00

Suggested cutters for neck slot

M716 for TSB127 neck dia 6.5
M1020 for TSB254 neck dia 9.5
M1325 for TSB32 neck dia 12.7



TCT Keyhole Slotter – Single flute



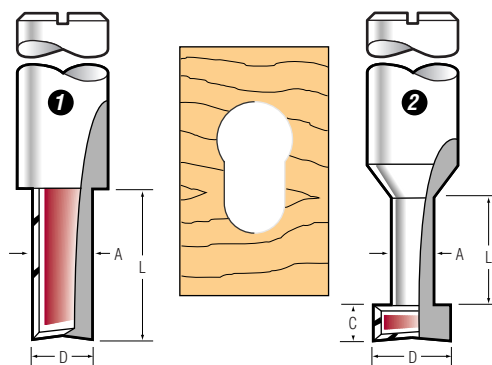
KHC95

n.max
24,000



Order Ref. No.	Dmm	Lmm	Cutting Neck		Shank		
			dia. mm	Cmm	6mm	1/4"	8mm
KHC95	9.5	4.5	4.5	10	£27.00	£27.00	£27.00
KHC127	12.7	5	8	10	£30.00	£30.00	£30.00

TCT Keyhole Slotter



KHC10

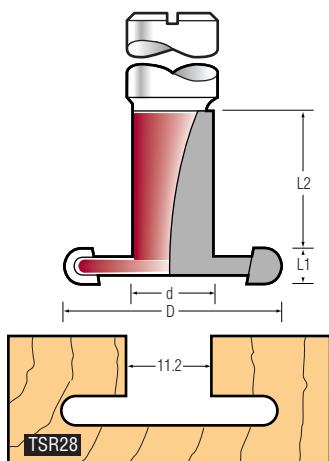
n.max
24,000



A keyhole cutter for use on material up to 1/2" (12.7mm) thickness. When ordering this cutter please give sizes A, L, C & D within the sizes suggested. *These cutters are made to order and are not a stock item. Please state style 1 or 2 when ordering.*

Order Ref. No.	D up to	L up to	C up to	A up to	Shank 1/2"
KHC10	10mm	15mm	10mm	8mm	£70.00

TCT T-Slot Radius



TSR28

n. max
24,000

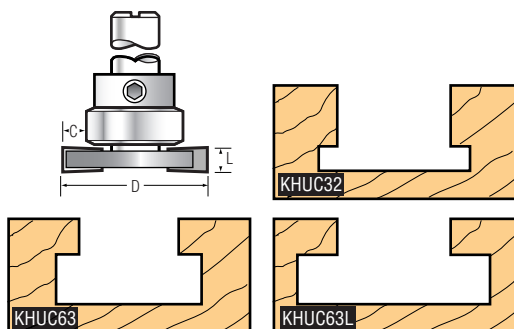


BG-TEST
145-001

No slot is required. This range has neck cutting facility.

Order Ref. No.	Dmm	L1mm	L2mm	Cutting Neck dia. d mm	3/8"	Shank 12mm	1/2"
TSR28	28	4	19	11.2	£53.00	£53.00	£53.00
TSR40	40.8	4	19	9.7	-	£55.00	£55.00

TCT Undercut with bearing



KHUC32

n. max
24,000

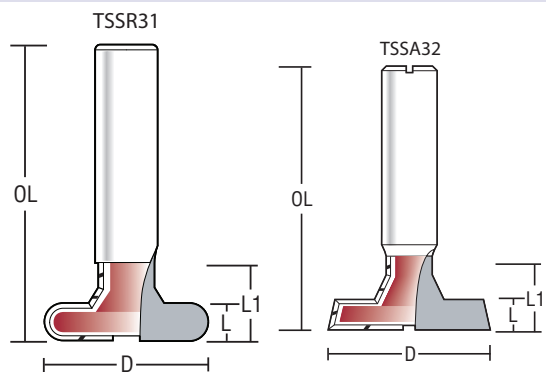


BG-TEST
145-001

A range of cutters used to produce a recess on the underside of lettering.

Order Ref. No.	Dmm	Lmm	Cmm	Shank 1/4"
KHUC32	19	3.2	3.2	£30.00
KHUC63	19	6.3	3.2	£31.00
KHUC63L	25.4	6.3	6.35	£33.00
B127	Replacement bearing 12.7			£6.00

TCT T-Slot



TSSR315

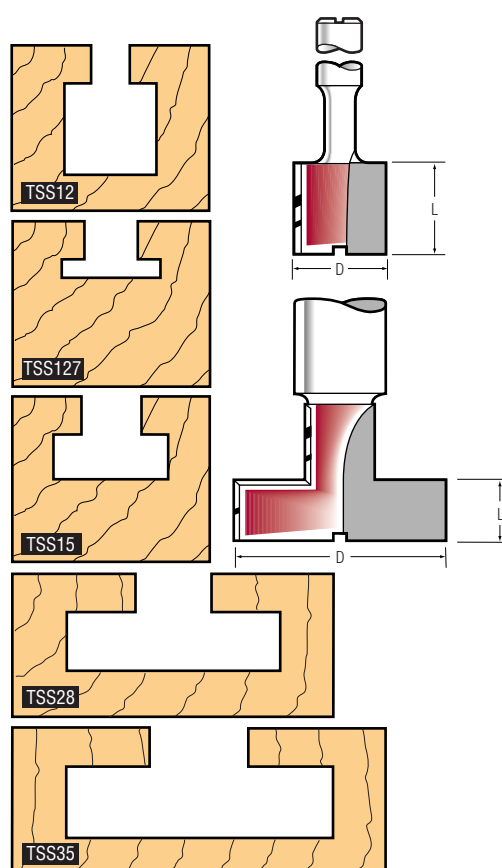
n. max
24,000

BG-TEST
145-001



Order Ref. No.	Dmm	dmm	Lmm	L1mm	Rmm	Shank 12mm
TSSA32	32	9	9	15		£75.00
TSSR31	31.5	10.8	7.3	15	3.6	£75.00

TCT T-Slot



TSS12

n. max
24,000

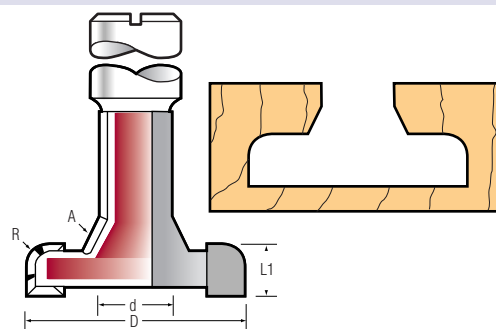


BG-TEST
145-002

A range of T-Slot cutters used for shelving and display purposes. If sizes available are not suitable - please submit a sketch to our Technical Department for quotation.

Order Ref. No.	Dmm	Lmm	Neck dia. mm	Neck length mm	Shank				
					1/4"	8mm	3/8"	12mm	1/2"
TSS12	12	12	4 non-cutting	10 non-cutting	£56.00	-	-	-	-
TSS127	12.7	2.5	7 cutting	7.5 cutting	-	£30.00	-	-	-
TSS15	15	6	8 cutting	8 cutting	-	£34.00	-	-	-
TSS28	28	8	9.5 cutting	18 cutting	-	£45.00	£45.00	£45.00	£45.00
TSS35	35	9.5	12.7 cutting	18 cutting	-	-	-	£54.00	£54.00

TCT Slat Wall Cutter



STS30

n. max
24,000



BG-TEST
145-001

The ideal cutter for shorter production runs for slat walls. A relief cut is required before the main slot is routed.

Order Ref. No.	Dmm	dmm	Lmm	Rmm	A	Shank 1/2"
STS30	30	10.5	7	3	119°	£75.00