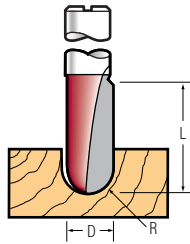


Guttering & Cove Cutters

TCT Half Round – One Flute



HRC3

n.max
24,000

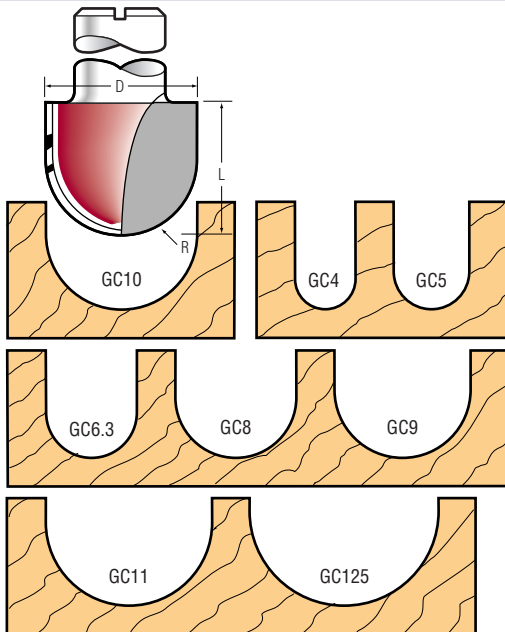


BG-TEST
145-001

Single flute half round cutters used for applications such as chalk grooves in desk tops etc. *Solid insert

Order Ref. No.	Cut Dia.mm	Lmm	Rmm	Shank				
				6mm	1/4"	8mm	3/8"	1/2"
HRC16*	3.2	9.5	1.6	–	£21.00	£21.00	–	–
HRC24	4.8	11	2.4	–	£23.00	–	–	–
HRC3	6	16	3	£24.00	£24.00	£24.00	£24.00	–
HRC5	10	18	5	£26.00	£26.00	£26.00	£26.00	£33.00
HRC63	12.7	18	6.3	–	£32.00	–	–	£33.00
HRC7	14	18	7	£32.00	£32.00	£32.00	£32.00	£33.00

TCT Guttering – Two Flute



GC3

n.max
24,000

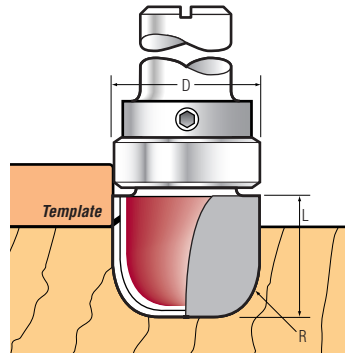


BG-TEST
145-001

A comprehensive range of guttering/cove mould cutters all with plunge facility and an upward shear. Most radii are compatible with the ovolo range for use in rule joints. Top Bearing option available, see XC351, page 107 + optional accessories, page 101.

Order Ref. No.	Dmm	Lmm	Rmm	Shank					
				6mm	1/4"	8mm	3/8"	12mm	1/2"
GC4	8	16	4	–	£25.00	£25.00	–	–	–
GC5	10	16	5	–	£26.00	£26.00	–	–	–
GC63	12.7	17	6.3	–	£35.00	£35.00	£35.00	–	£35.00
GC8	16	18	8	£36.00	£36.00	£36.00	£36.00	–	£36.00
GC9	18	18	9	£38.00	£38.00	£38.00	£38.00	–	£38.00
GC95	19	18	9.5	–	£43.00	–	£43.00	–	£43.00
GC10	20	18	10	–	£43.00	£43.00	£43.00	–	£43.00
GC11	22	18	11	–	–	£48.00	£48.00	–	£48.00
GC125	25	18	12.5	–	–	£45.00	£45.00	–	£45.00
GC15	30	18	15	–	–	–	£57.00	–	£57.00
GC20	40	32	20	–	–	–	£75.00	–	£75.00
GC254	50.8	32	25.4	–	–	–	–	–	£80.00

TCT Trepanning with bearing



WCCB19

n.max
24,000

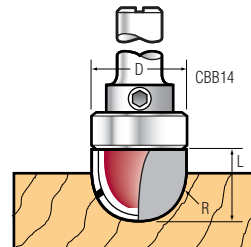


BG-TEST
145-001

Three cutters designed for trepanning large areas of timber; i.e. tenoning work, dish production on hardwoods. Perfect for routing out waste to leave a raised effect on plaque mounts in timber. Ideal cutters for the craft worker producing timber bowls and scallop work.

Order Ref. No.	Dmm	Lmm	Rmm	Shank		
				1/4"	8mm	1/2"
WCCB127	12.7	12.7	3.2	£29.00	–	–
WCCB19	19	16	6.5	–	£47.00	£47.00
WCCB28	28.6	16	6.5	–	–	£48.00
B127	Replacement bearing			–	–	£6.00
B1912	Replacement bearing			–	–	£7.00
B2812	Replacement bearing			–	–	£8.00
Replacement collar				–	–	£2.00

TCT Guttering Cutter with Bearing



CBB14

n.max
24,000



BG-TEST
145-001

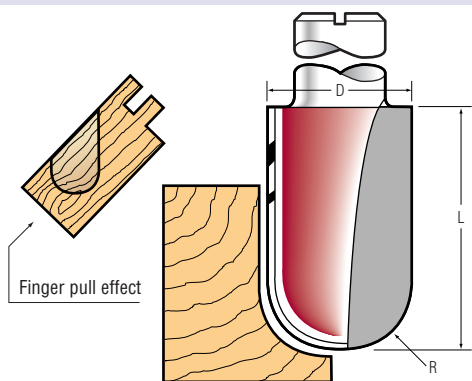
With the shank mounted bearing this range of cutters can be used with a template rather than a side fence.

Order Ref. No.	Dmm	Lmm	Rmm	Shank	
				1/4"	1/2"
CBB14	12.7	9.5	6.3	£25.00	–
CBB79	16	11	7.9	£33.00	–
CBB95	19	11	9.5	£39.00	–
CBB95L	19	32	9.5	–	£44.00
B127	Replacement bearing			–	£6.00
B16	Replacement bearing 16mm			–	£6.00
B19	Replacement bearing 19mm			–	£7.00
Collar	Replacement collar			–	£2.00

CONVERSION

IMPERIAL	METRIC	IMPERIAL	METRIC	IMPERIAL	METRIC
1/16	1.6	3/8	9.5	3/4	19.05
1/8	3.2	1/2	12.7	7/8	22.22
1/4	6.35	5/8	15.88	1	25.4

TCT Shallow Finger Pull – Two Flute



WRC10

n.max
24,000



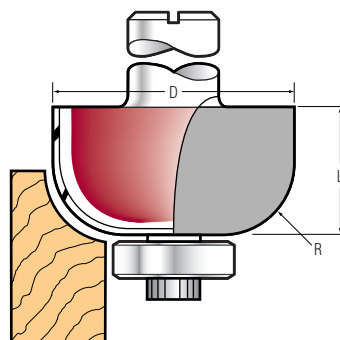
BG-TEST
145-001

A further extension of the gutturing cutter range with deeper cut for shallow finger pull applications. These sheared cutters have plunge facility.

This exceptionally versatile cutter will produce deep core box profiles and is popular for finger pull cutters on kitchen doors etc. Ideal for producing Corian draining slots.

Order Ref. No.	Dmm	Lmm	Rmm	Shank		
				3/8"	12mm	1/2"
WRC6	12	32	6	£66.00	£66.00	£66.00
WRC8	16	32	8	£70.00	£70.00	£70.00
WRC10	20	32	10	£74.00	£74.00	£74.00
WRC95	19	32	9.5	-	£74.00	£74.00
WRC11	22	32	11	£70.00	£70.00	£70.00
WRC125	25	32	12.5	£73.00	£73.00	£73.00

TCT Cove Mould with 12.7 & 16mm Bearing



CMC95



BG-TEST
145-001

n.max
24,000

These cutters come complete with B127 and B16 Bearings.

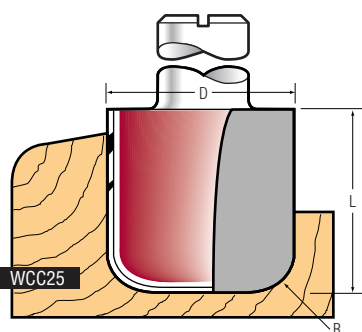
Matching rounding over cutters- See page 29.

When possible use 1/2" dia. shanks on shaped cutters with bearings. This helps prevent cutter deflection when used on portable machines to give a more stable cut.

Order Ref. No.	Dmm	Lmm	Rmm	Shank					
				6mm	1/4"	8mm	3/8"	12mm	1/2"
CMC1.6	15.9	12.7	1.6	-	£42.00	-	-	-	£42.00
CMC2	16.7	12.7	2	£25.00	£25.00	£25.00	-	-	£24.00
CMC3	18.7	12.7	3	£31.00	£31.00	£31.00	-	-	£31.00
CMC4	20.7	12.7	4	£34.00	£34.00	£34.00	-	-	£34.00
CMC5	22.7	12.7	5	£34.00	£34.00	£34.00	-	-	£34.00
CMC63	25	12.7	6.3	£41.00	£41.00	£41.00	-	-	£41.00
CMC8	28	16	8	£47.00	-	£47.00	-	-	-
CMC95	32	16	9.5	£51.00	£51.00	£51.00	-	-	£51.00
CMC127	38.2	19	12.7	£63.00	£63.00	£63.00	£63.00	-	£63.00
CMC916	40.6	21	14.29	-	-	-	-	-	£68.00
CMC16	44.7	22	16	-	-	-	-	£62.00	£72.00
CMC19	50.7	25	19	-	-	-	-	£66.00	£80.00
B127	Replacement Bearing		12.7mm diameter		£6.00				
B16	Replacement Bearing		16mm diameter		£7.00				

Titman Tip Top Bearing option available, see XC701, page 110 + optional accessories, page 101.

TCT Water Channel - Heavy Duty



WCC25

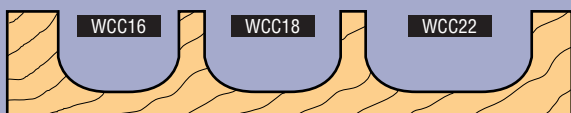
n.max
24,000



BG-TEST
145-001

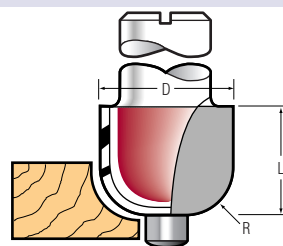
For window sections, designed to help displace water and moisture from window and door frames. These cutters have plunge facility.

Order Ref. No.	Dmm	Lmm	Rmm	Shank			
				8mm	3/8"	12mm	1/2"
WCC16	16	25	5	£38.00	£38.00	£38.00	£38.00
WCC18	18	25	5	£38.00	£38.00	£38.00	£38.00
WCC22	22	25	5	-	£42.00	£42.00	£42.00
WCC25	25	25	5	-	£48.00	£48.00	£48.00



Titman Tip Top Bearing option available, see XC356, page 107 + optional accessories, page 101.

Cove with Guide Pin



Ideal for producing small planted mouldings on door frames or picture frames. Also for internal moulding work, the small diameter pin allows right angle profiling to be carried out successfully. TCT pin diameter 5.5mm

CCP14

n.max
24,000



BG-TEST
145-001

Order Ref. No.	Dmm	Lmm	Rmm	Shank					
				6mm	1/4"	8mm	3/8"	12mm	1/2"
CCP316	14.4	12.8	4.8	£30.00	£30.00	£30.00	£30.00	£30.00	£30.00
CCP14	17.6	14.4	6.3	£33.00	£33.00	£33.00	£33.00	£33.00	£33.00
CCP38	23.8	17.5	9.5	£35.00	£35.00	£35.00	£35.00	£35.00	£35.00
CCP127	30.9	21.7	12.7	-	£41.00	-	-	-	£41.00