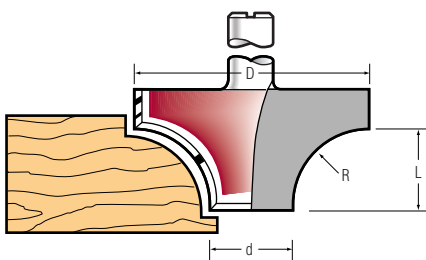


Ovolo & Rounding-Over Cutters

The classic woodworking profile

TCT Ovolo



OC10

n.max
24,000

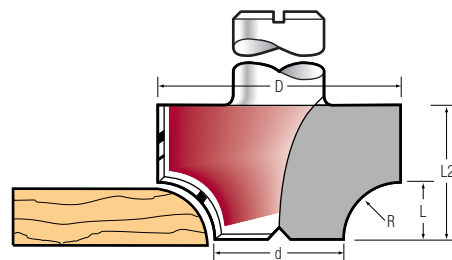


BG-TEST
145-001

Used in conjunction with a side fence, most ovolo and rounding over operations can be produced with this extensive range. These cutters have plunging facility.

Order Ref. No.	Dmm	dmm	Lmm	Rmm	Shank						
					6mm	1/4"	8mm	3/8"	12mm	1/2"	
OC3	17	11	3	3	£29.00	£29.00	£29.00	-	-	-	-
OC4	19	11	4	4	£34.00	£34.00	£34.00	-	-	-	-
OC5	21	11	5	5	£36.00	£36.00	£36.00	£36.00	-	£36.00	-
OC63	23	11	6.3	6.3	£40.00	£40.00	£40.00	£40.00	£40.00	£40.00	-
OC8	27	11	8	8	-	£40.00	£40.00	£40.00	-	£40.00	-
OC9	30	11	9	9	-	£40.00	-	£40.00	-	£40.00	-
OC95	30	11	9.5	9.5	-	£42.00	-	£42.00	-	£42.00	-
OC10	31	11	10	10	-	£45.00	£45.00	£45.00	-	£45.00	-
OC12	35	11	12	12	-	£45.00	-	£45.00	£45.00	£45.00	-
OC125	36	11	12.5	12.5	-	£45.00	-	£45.00	-	£45.00	-
OC15	41	11	15	15	-	£49.00	-	£49.00	£49.00	£49.00	-

TCT Ovolo - Heavy Duty Moulding



WOC6

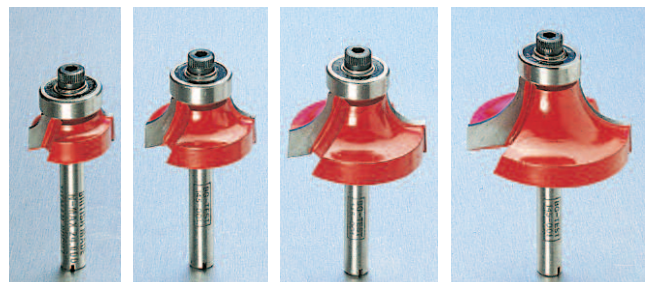


BG-TEST
145-001

Heavy duty standard ovolo range. These cutters have a 2mm run out top and bottom of radius to ensure a smooth finish when used for rounding over effect. These cutters have plunging facility. **WOC6-12 n.max 24,000, WOC16-25 n.max 18,000.**

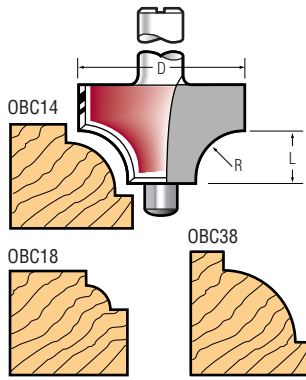
Order Ref. No.	Dmm	dmm	Lmm	L2mm	Rmm	Shank	
						12mm	1/2"
WOC6	32	15	9	20	6	£75.00	£75.00
WOC10	40	15	13	23	10	£80.00	£80.00
WOC12	44	15	15	25	12	£86.00	£86.00
WOC16	52	15	19	29	16	£91.00	£91.00
WOC20*	60	15	23	32	20	£93.00	£93.00
WOC25*	65	15	28	32	25	£116.00	-

* Should be used on fixed head machines only.



Part of our ROCB Range

TCT Ovolo Beading with Guide Pin



OBC14

n.max
24,000



BG-TEST
145-001

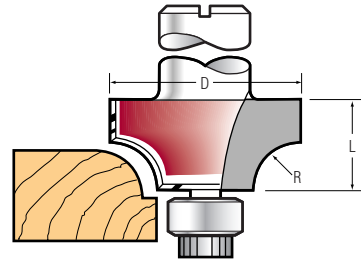
Care must be taken to avoid marking the workpieces, smooth feeding is essential. Traditional cutters for sash mouldings or small door frames. Internal mouldings.

TCT pin diameter 5.5mm.

Order Ref. No.	Dmm	Lmm	Rmm	Shank				
				6mm	1/4"	3/8"	1/2"	
OBC18	15	3.2	3.2	£34.00	£34.00	£34.00	£34.00	£34.00
OBC14	22	6.3	6.3	£39.00	£39.00	£39.00	£39.00	£39.00
OBC38	28	9.5	9.5	£39.00	£39.00	£39.00	£39.00	£39.00

TCT Internal Beading

As IBC45 Type, designed to save tooling costs on framemaking. Ideal for small internal work for radiusing corners. Please ensure all bearings are secure before use



IBC14

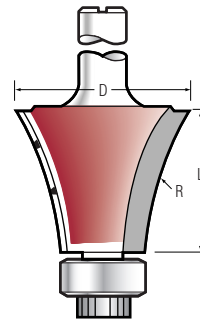
n.max
24,000



BG-TEST
145-001

Order Ref. No.	Dmm	Lmm	Rmm	Bearing dia. mm	Shank		
					6mm	8mm	1/4"
ROC2/635	12.3	7	2	6.35	-	£46.00	-
ROC3/635	14.3	8	3	6.35	-	£46.00	-
ROC4/635	16.3	9	4	6.35	-	£46.00	-
IBC14	25.4	12	6.3	9.5	£51.00	-	£51.00
B63	Replacement Bearing			6.35			£9.00
B375	Replacement Bearing			9.5			£9.00

TCT Rounding Over for shallow nosing



This partial radius rounding over cutter is ideal for shallow nosing effect on the edges of furniture tops.

QAR042

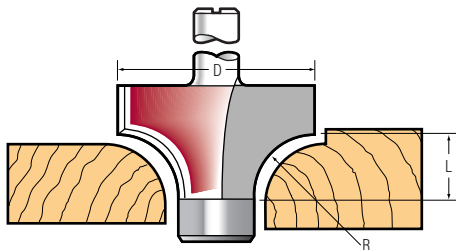
n.max
24,000



BG-TEST
145-001

Order Ref. No.	Dmm	Lmm	Rmm	Bearing Dia. mm	Shank	
					1/4"	1/2"
QAR042	23.7	16	42	12.7		£45.00
B127	Replacement Bearing					£6.00

TCT Rounding Over with Guide Pin



ROC18

n.max
24,000



BG-TEST
145-001

Available in fractional sizes to relieve corners on small panels, or larger radii for stair nosings, window boards and many shelf or display units.

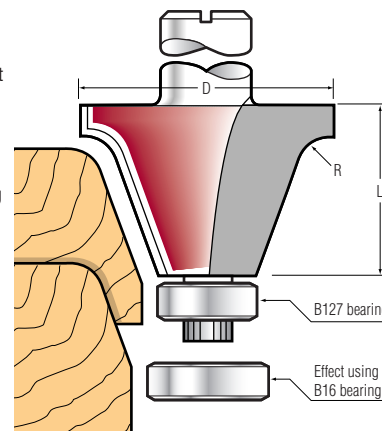
Careful feeding will prevent the pin from marking workpiece.

TCT pin diameter 8.9mm.

Order Ref. No.	Dmm	Lmm	Rmm	Shank					
				6mm	1/4"	8mm	3/8"	12mm	1/2"
ROC18	15	3.2	3.2	£32.00	£32.00	£32.00	£32.00	£37.00	£37.00
ROC316	19	4.8	4.8	£33.00	£33.00	£33.00	£33.00	£38.00	£38.00
ROC14	22	6.3	6.3	£34.00	£34.00	£34.00	£34.00	£39.00	£39.00
ROC516	26	8	8	£34.00	£34.00	£34.00	£34.00	£40.00	£40.00
ROC38	29	9.5	9.5	£35.00	£35.00	£35.00	£35.00	£41.00	£41.00
ROC12	35	12.7	12.7	£40.00	£40.00	£40.00	£40.00	£46.00	£46.00
ROC58	40.5	16	16	-	-	-	£53.00	£53.00	£53.00
ROC34	47	19	19	-	-	-	£72.00	£72.00	£72.00

TCT Rounding Over

A unique cutter designed for short skirting production, or for relieving a square section. Supplied with B127 bearing only.



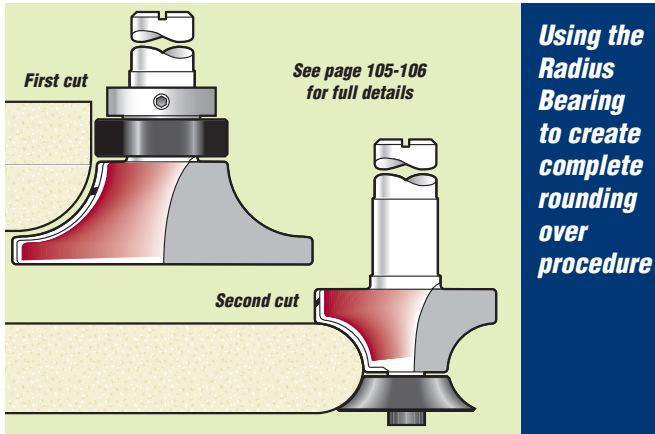
ROCBS12

n.max
24,000



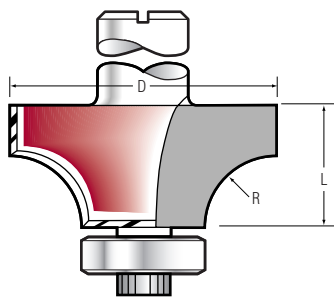
BG-TEST
145-001

Order Ref. No.	Dmm	Lmm	Rmm	Bearing Dia. mm	Shank		
					1/4"	3/8"	1/2"
ROCBS12	25	16	5	12.7	£43.00	-	-
ROCBS12	33	23	4.75	12.7		£46.00	£46.00
B127	Replacement Bearing						£6.00
B16	Replacement Bearing						£7.00



TCT Rounding Over with Bearings

Two shapes produced with one cutter by changing the bearing. B16 bearing removes the quirk. 1/2" dia shanks available for more stable cutting action. Supplied with B127 & B16 bearings.



ROC95

SEE CHART

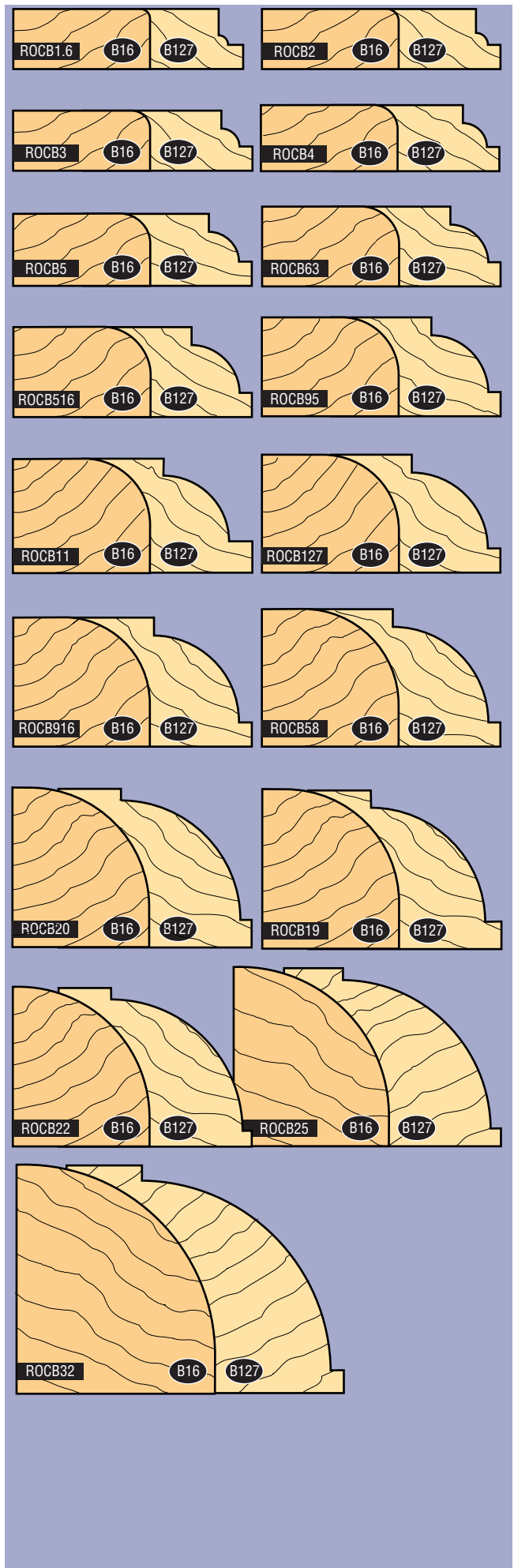
BG-TEST 145-001

Titman's ROCB Range use 12.7 & 16mm diameter bearings. These larger bearings are less prone to heat build up and will give longer life than smaller diameter bearings. Check Allen Screws are secure before using.

For fixed head machines only over 54mm diameter.

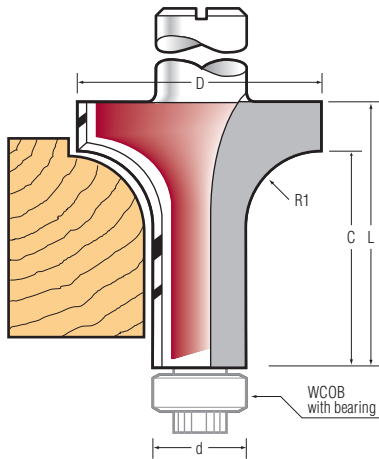
Order	Ref. No.	Dmm	Lmm	Rmm	6mm	1/4"	8mm	3/8"	12mm	1/2"	
	ROC B1	18	7	1	£29.00	-	£29.00	-	-	£29.00	
	ROC B1.6	19.2	8	1.6	£29.00	£29.00	£29.00	-	-	£29.00	
	ROC B2	20	8	2	£29.00	£29.00	£29.00	-	-	£29.00	
	ROC B3	22	10	3	£35.00	£35.00	£35.00	£35.00	-	£35.00	
	ROC B4	24	10	4	£35.00	£35.00	£35.00	£35.00	-	£35.00	
	ROC B48	25.6	11	4.8	-	£35.00	-	-	-	£35.00	
	ROC B5	26	11	5	£35.00	£35.00	£35.00	£35.00	£35.00	£35.00	
	ROC B6	28	12	6	-	£41.00	£41.00	-	-	£41.00	
	ROC B63	28	12.7	6.3	£37.00	£37.00	£37.00	£37.00	-	£37.00	
	ROC B516	32	15	8	£38.00	£38.00	£38.00	-	£38.00	£38.00	
	ROC B95	35	15.8	9.5	£38.00	£38.00	£38.00	£38.00	-	£38.00	
	ROC B11	38	18	11	-	£43.00	£43.00	-	-	£43.00	
	ROC B127	41	19	12.7	-	£44.00	£44.00	£44.00	£44.00	£44.00	
	ROC B916	44.4	20	14.2	-	-	£46.00	-	£46.00	£46.00	
	ROC B58	48	22	16	-	-	£51.00	£51.00	£51.00	£51.00	
	ROC B19	54	29	19	-	-	-	-	£51.00	£51.00	
	ROC B20	56	26	20	-	-	-	-	£55.00	£55.00	
	ROC B22	60	32	22	-	-	-	-	£71.00	£71.00	
	B127	Replacement Bearing 12.7									£6.00
	B16	Replacement Bearing 16									£7.00

Order	Ref. No.	Dmm	Lmm	Rmm	12mm	1/2"	Shank 9/16"	5/8"	16mm		
	ROC B25	66	35	25	£75.00	£75.00	£75.00	-	-		
	ROC B32	80	42	32	-	£106.00	-	£106.00	£106.00		
	ROC B38	92	48	38	-	-	-	£125.00	£125.00		
	B127	Replacement Bearing 12.7									£6.00
	B16	Replacement Bearing 16									£7.00



TCT Corner Ovolo Heavy Duty

Profiles and moulds in one operation. Ideal for aperture cutting, i.e. snooker table pockets, worktops and cover mouldings. WCO Type have plunge facility.

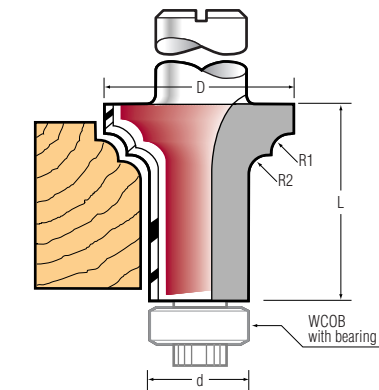


WCO10

n.max
24,000



BG-TEST
145-001



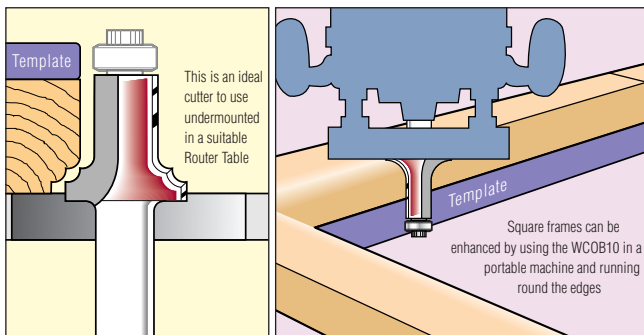
WCO25

n.max
24,000



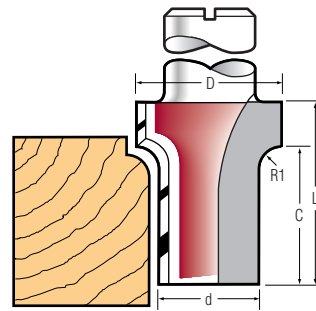
BG-TEST
145-001

Order Ref. No.	Dmm	dmm	Lmm	R1mm	R2mm	8mm	Shank 12mm	Shank 1/2"	
WCO3	18	12	30	3	-	£47.00	£47.00	-	
WCO625	25	12.7	25	6	-	-	-	£60.00	
WCOB625	28	16	25	6	-	-	-	£63.00	
WCO6	25	12.7	32	6	-	£54.00	£60.00	£60.00	
WCOB6	28	16	32	6	-	£57.00	£63.00	£63.00	
WCO8	26	10	34	8	-	£56.00	-	£63.00	
WCO1025	33	12.7	25	10	-	-	-	£63.00	
WCOB1025	36.3	16	25	10	-	-	-	£66.00	
WCO10	33	12.7	36	10	-	-	-	£63.00	
WCOB10	36.3	16	36	10	-	-	-	£69.00	
WCO127	38.1	12.7	36	12.7	-	-	-	£61.00	
WCOB127	41.4	16	36	12.7	-	-	-	£69.00	
WCO25	25	12.7	26	2.5	2.5	-	-	£60.00	
WCOB25	28.3	16	26	2.5	2.5	-	-	£63.00	
B16	Replacement Bearing							£7.00	



WCOB type supplied with bearing.
Before commencing work with WCOB cutters please ensure that the Allen Screw is tightened correctly to hold the bearing assembly.

TCT Corner Ovolo Short Series



WCO3-18

n.max
24,000

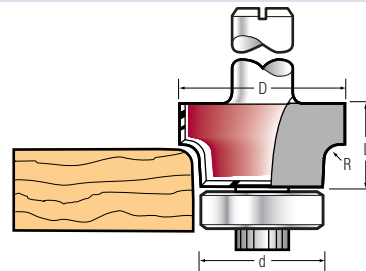


BG-TEST
145-001

Profiles and moulds in one operation. Ideal for furniture doors in MDF. All have plunging facility.

Order Ref. No.	Dmm	dmm	Lmm	Rmm	Cmm	Shank 1/2"
WCO3-18	19	12.7	24	3	18	£44.00
WCO4-18	21	12.7	24	4	18	£44.00
WCO5-18	23	12.7	24	5	18	£48.00
WCO6-18	25	12.7	24	6	18	£48.00
WCO8-18	31	12.7	24	8	18	£55.00
WCO10-18	33	12.7	24	10	18	£55.00

TCT Rounding Over with bearing



SROCB2

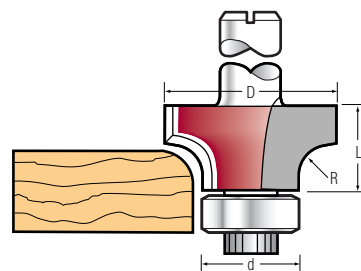
n.max
24,000



BG-TEST
145-001

These cutters have extra run out after the radius towards the bearing to create a softer effect.

Order Ref. No.	Dmm	dmm	Lmm	Rmm	Shank 6mm	Shank 8mm	
SROCB2	22	16	11	2	£40.00	£40.00	
SROCB25	23	16	11	2.5	£40.00	£40.00	
SROCB3	24	16	11	3	£40.00	£40.00	
B16	Replacement Bearing					£7.00	
PB16	Replacement Ti-Tire Bearing					£7.00	



SROCB2/127

n.max
24,000



BG-TEST
145-001

Smaller diameter rounding over cutters.

Order Ref. No.	Dmm	dmm	Lmm	Rmm	Shank 6mm	Shank 8mm	
SROCB1/127	18.7	12.7	8	1	£40.00	£40.00	
SROCB2/127	18.7	12.7	8	2	£40.00	£40.00	
SROCB25/127	19.7	12.7	8	2.5	£40.00	£40.00	
SROCB3/127	20.7	12.7	9	3	£40.00	£40.00	
SROCB35/127	21.7	12.7	12	3.5	£42.00	£42.00	
SROCB4/127	22.7	12.7	12	4	£43.00	£43.00	
B127	Replacement Bearing					£6.00	