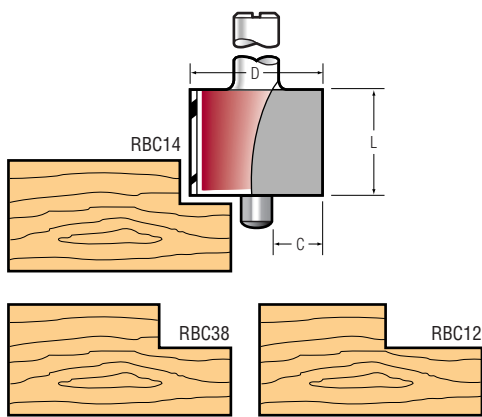


Rebate Cutters

TCT Rebate with Guide Pin



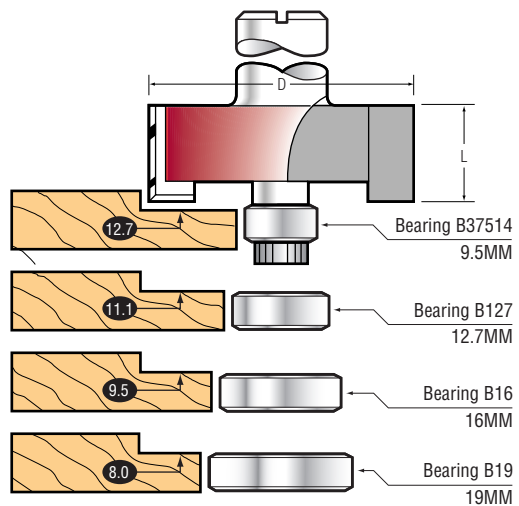
RBC14

n.max
24,000



BG-TEST
145-002

TCT Rebate with Bearing Sets



RCB95-127

n.max
24,000



BG-TEST
145-002

This cutter is supplied with bearings B37514, B127, B16, B19.
By changing the bearings supplied four different rebate depths are possible.

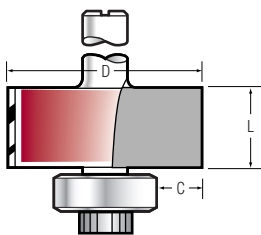
Order Ref. No.	Dmm	Lmm	Shank Length	Bearing Diameter mm	Shank 1/4"	Shank 8mm	Shank 1/2"
RCB95-127	35	12.7	40	9.5, 12.7, 16, 19	£48.00	£48.00	£52.00
RCB95-127L	35	12.7	60	9.5, 12.7, 16, 19	-	-	£59.00
B37514	Replacement Bearing			9.5	£9.00		
B127	Replacement Bearing			12.7	£6.00		
B16	Replacement Bearing			16	£7.00		
B19	Replacement Bearing			19	£7.00		

A range of cutters with guide pins. Ideal for internal rebate work where the small diameter pins allow easy access to corners. C = Rebate depth.

TCT

Order Ref. No.	Dmm	Lmm	Cmm	6mm	Shank 1/4"	8mm	3/8"
RBC4	13	12	4mm	-	£32.00	-	-
RBC14	17.5	14	6.3mm	£32.00	£32.00	£32.00	£32.00
RBC38	23.8	14	9.5mm	£32.00	£32.00	£32.00	£32.00
RBC12	30.2	14	12.7mm	£38.00	£38.00	£38.00	£38.00

TCT Rebate with Bearing



Titman Tip

Top bearing option available - see page 109 - item XC501+ optional accessories see page 101. Contact sales for details.

RCB14

n.max
24,000

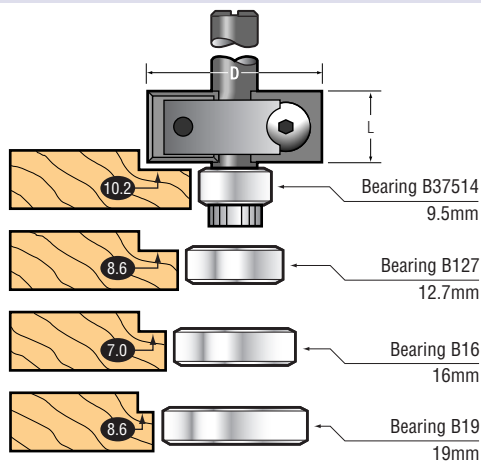


BG-TEST
145-002

Order Ref. No.	Dmm	Lmm	Cmm	Bearing Dia. mm	Shank 1/4"	Shank 3/8"	1/2"
RCB14	25.4	12.7	6.3	12.7	£45.00	-	£49.00
RCB38	32	12.7	9.5	12.7	£45.00	-	£49.00
RCB716	35	12.7	11.1	12.7	£45.00	£45.00	£49.00
RCB12	38	12.7	12.7	12.7	£45.00	-	£49.00
B127	Replacement Bearing				£6.00		



Replacement Tip Rebate with Bearing



RCB95RT

n.max
24,000

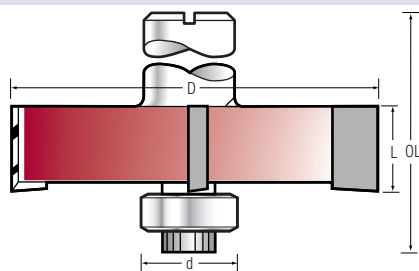


BG-TEST
145-002

This cutter is supplied with bearings B37514, B127, B16, B19.
By changing the bearings supplied four different rebate depths are possible.

Order Ref. No.	Dmm	Lmm	OLmm	1/4"	Shank 8mm	1/2"
RCB95RT	30	12	44	£56.00	£56.00	£56.00
B37514	Replacement Bearing					£9.00
B127	Replacement Bearing					£6.00
B16	Replacement Bearing					£7.00
B19	Replacement Bearing					£7.00
L12	Replacement Tip 12x12x1.5					£3.00
M4 x 6	Torx Screw					£5.00
T15	Torx Screwdriver (yellow)					£5.00

TCT Rebate 4 wing with bearing



RCB57

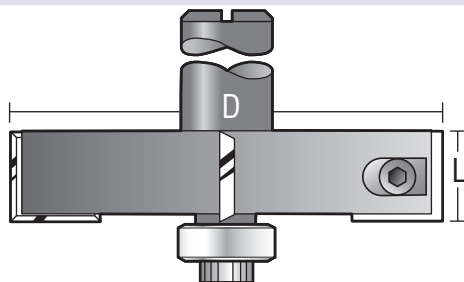
n.max
18,000



BG-TEST
145-002

Order Ref. No.	Dmm	d mm	Lmm	OLmm	Shank 12mm
RCB57	57	12.7	15	60	£63.00
B127	Replacement bearing 12.7mm				£6.00

Replacement Tip Rebate 4 wing



RCB57RT

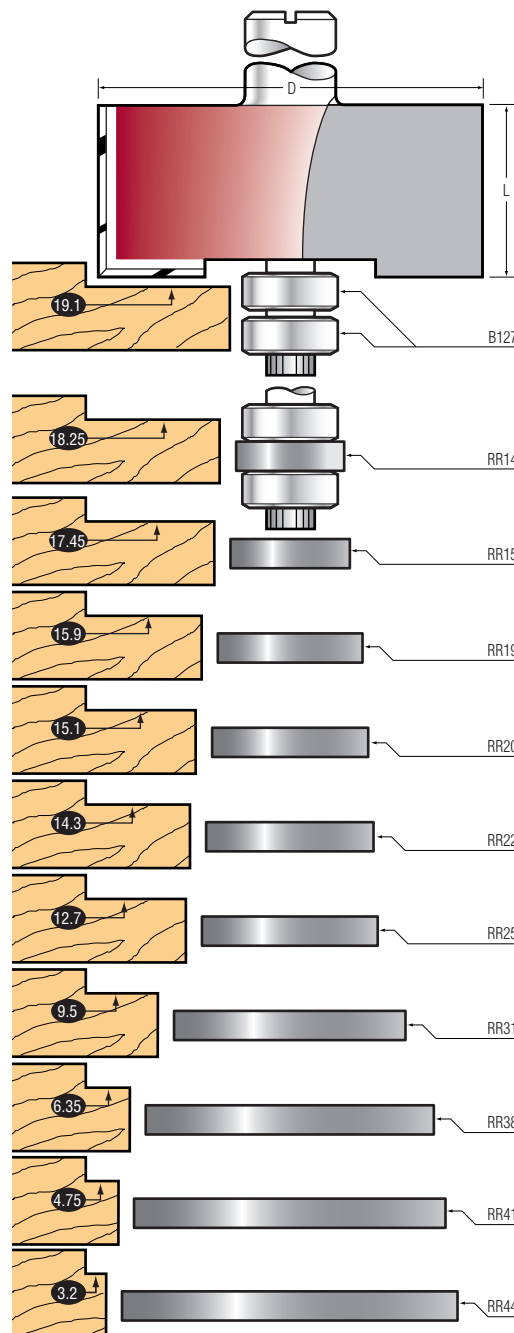
n.max
18,000



BG-TEST
145-002

Order Ref. No.	Dmm	d mm	Lmm	OLmm	Shank 12mm
RCB57RT	57	12.7	12	54	£77.00
L12	Replacement tip 12 x 12 x 1.5				£3.00
B127	Replacement bearing 12.7mm				£6.00

TCT Rebate with Bearing Sets



RCB32-18.25

n.max
18,000



BG-TEST
145-002

The RCB32-18-25 is supplied fitted with two bearings (B127) creating a rebate of 19.1mm. Add the bearing rings between the bearings to adjust the rebate depth.

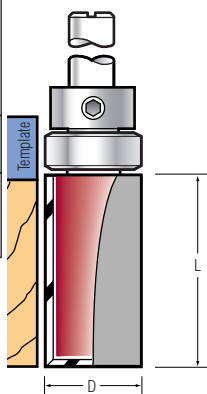
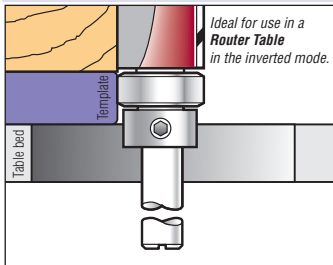
Order Ref. No.	Dmm	Lmm	Cmm	Shank 12mm	1/2"
RCB32-18.25	50.8	22.5	19.1	£60.00	£60.00
Ref. No.	Dmm	Rebate depth mm	Price each		
RR44	Replacement Ring	44.4	3.2	£6.00	
RR41	Replacement Ring	41.3	4.75	£6.00	
RR38	Replacement Ring	38.1	6.35	£6.00	
RR31	Replacement Ring	31.7	9.5	£6.00	
RR25	Replacement Ring	25.4	12.7	£6.00	
RR22	Replacement Ring	22.0	14.3	£6.00	
RR20	Replacement Ring	20.6	15.1	£6.00	
RR19	Replacement Ring	19.1	15.9	£6.00	
RR15	Replacement Ring	15.9	17.45	£6.00	
RR14	Replacement Ring	14.3	18.45	£6.00	
B127	Replacement Bearing	12.7	19.1	£6.00	

15

Premier Router Cutters

Profile Guide Cutters

TCT Profile Guide - 90°



PGC127

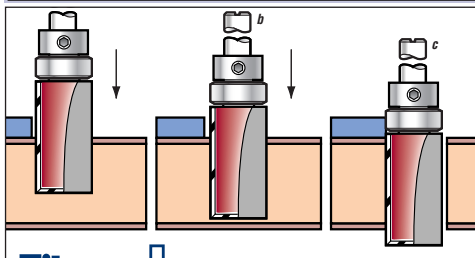
n. max
24,000



BG-TEST
145-001

The PGC Range of cutters are made with plunging centre points ideal for blind profiling and plunging, i.e. double skinned plywood. They also have Bearing Guides which are designed to run off a top mounted template.

Order Ref. No.	Dmm	Lmm	Bearing	Shank					
				6mm	1/4"	8mm	3/8"	12mm	1/2"
PGC9525	9.5	25	B37514	£25.00	-	-	-	-	-
PGC1274	12.7	4	B127	£23.00	-	-	-	-	-
PGC12795	12.7	9.5	B127	£23.00	£23.00	-	-	-	-
PGC12719	12.7	19	B127	£25.00	£25.00	-	-	-	-
PGC127	12.7	25.4	B127	£25.00	£25.00	-	-	-	-
PGC127114	12.7	32	B127	£27.00	-	-	-	-	-
PGC16	16	20	B16	£28.00	£28.00	-	-	-	-
PGC16LK	16	25	B16	£34.00	£34.00	-	-	-	-
PGC1911	19	11	B19/B1912	£31.00	-	-	-	£31.00	-
PGC1925	19	25.4	B1912	-	-	-	-	£43.00	£43.00
PGC19	19	50	B1912	-	-	-	-	£45.00	£45.00
PGC1963	19	63	B1912	-	-	-	-	-	£56.00
PGC2511	25	11	B25	-	-	-	-	-	£33.00
PGC25	25	25	B25	-	-	£42.00	£42.00	£42.00	£42.00
PGC2545	25	45	B25	-	-	-	-	-	£46.00
PGC3816	38	16	B38	-	-	-	-	-	£45.00
B37514	Replacement Bearing			9.5mm					£9.00
B127	Replacement Bearing			12.7mm					£6.00
B16	Replacement Bearing			16mm					£6.00
B1912	Replacement Bearing			19mm					£7.00
B25	Replacement Bearing			25mm					£12.00
B2512	Replacement Bearing			25mm					£12.00
B38	Replacement Bearing			38mm					£10.00
C11/635	Replacement Collar			11 x 5mm x 1/4"					£2.00
C11/952	Replacement Collar			11 x 5mm x 3/8"					£2.00
C11/8	Replacement Collar			11 x 5 x 8mm					£2.00
C18/127	Replacement Collar			18 x 7mm x 1/2"					£2.00

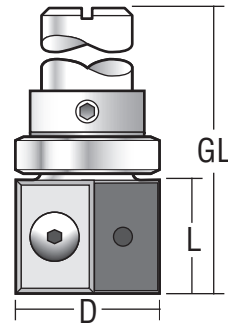


Compared to a bearing trimmer, the PGC Range (above) has the advantage of being able to plunge through a skin that has to be trimmed (dia a, b and c).



All prices exclusive of VAT

Replacement Tip Profile Guide



PGC19RT

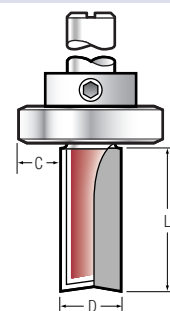
n. max
24,000



Order Ref. No.	Bearing Dmm	dia.mm	Lmm	GLmm	Shank				
					1/4"	8mm	10mm	12mm	1/2"
PGCS19RT	19	19	12	62	£46.00	£46.00	-	-	£46.00
PGC19RT	19	19	20	62	-	£48.00	£48.00	£48.00	£48.00
PGC19LKRT	19	19	30	72	-	£49.00	£49.00	£49.00	-
PGC1950RT	19	19	50	94	-	-	-	£67.00	£67.00
B19	Replacement Bearing			19					£6.00
B1912	Replacement Bearing			19					£7.00
L20-4A	Replacement Tip			20					£6.00
L12	Replacement Tip			12					£3.00
L30-4A	Replacement Tip			30					£6.00
L50-4A	Replacement Tip			50					£6.00

Please note: 1/4" shank = 56mm OL

Profile Guide 90° with Oversize Bearing



PGC08

n. max
24,000



BG-TEST
145-001

Order Ref. No.	Dmm	C mm	Lmm	Shank
				1/4"
PGC08	8	2.35	19	£29.00
PGC0127	12.7	3.2	19	£31.00
B127	Replacement Bearing for PGC08			£6.00
B19	Replacement Bearing for PGC0127			£7.00

Telephone: 01255 220123 Fax: 01255 221422