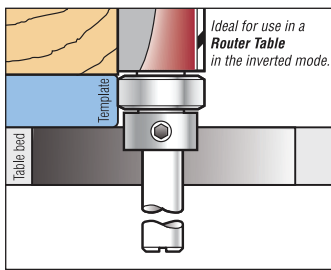
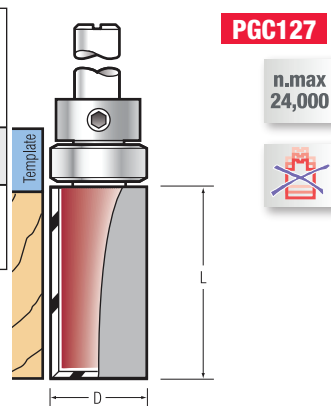


Profile Guide Cutters

TCT Profile Guide - 90° with Bearing



The Profile Guide Cutters (PGC) range are made with plunging centre points ideal for blind profiling and plunging. i.e. double skinned plywood. The PGC range have bearing guides which are designed to run off of a top mounted template.



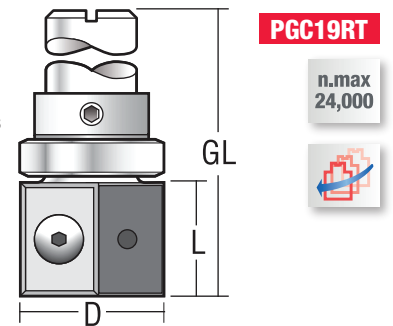
PGC127

n.max
24,000



Replacement Tip Profile Guide

These single flute plunging replacement tip cutters are ideal for template work where a constant diameter and a top bearing are needed. The tungsten carbide blades can be rotated and used again before replacement is required.



PGC19RT

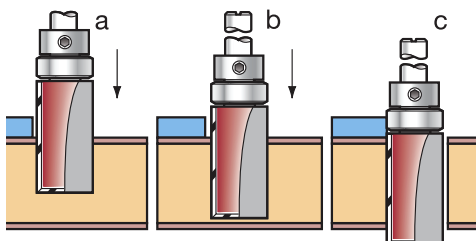
n.max
24,000



New Product

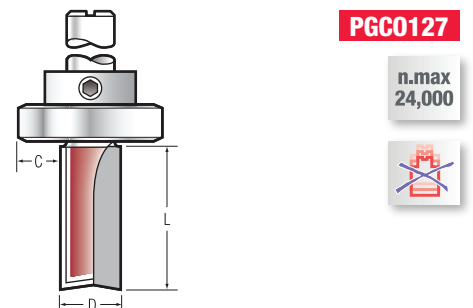
Order Ref. No.	Dmm	Lmm	1/4"	8mm	Shank 12mm	1/2"
PGCS12720SF 1/4RT	12.7	20	£68.00	-	-	-
PGCS12730SF 1/4RT	12.7	20	£70.00	-	-	-
PGCS19RT	19	12	£59.23	£59.23	-	£59.23
PGC19RT	19	20	-	£61.59	£61.59	£61.59
PGC19LKRT	19	30	-	£62.78	£62.78	£62.78
PGC1950RT	19	50	-	-	£62.78	£62.78
B19/8	19	-	-	-	£9.48	-
B19	Replacement steel bearing	19	-	-	-	£9.48
1/2-B127	Replacement steel bearing	12.7	-	-	-	£8.29
3/4-B1912	Replacement steel bearing	19 1/2" bore	-	-	-	£9.48
SH635/11	Replacement Collar	11 x 5mm x 1/4" bore	-	-	-	£3.55
SH/8/1	Replacement Collar	11 x 5mm x 8mm bore	-	-	-	£3.55
SH/127/18	Replacement Collar	18 x 7mm x 1/2" bore	-	-	-	£3.55
12mm-RT	Replacement tip	12x12x1.5	-	-	-	£4.74
L20-4A	Replacement tip	20	-	-	-	£8.29
L30-4A	30x12x1.5	-	-	-	-	£8.29
L50-4A	Replacement tip	50	-	-	-	£8.29
L209	Replacement Blade	20-9-1.5	-	-	-	£8.29
L9	Replacement Blade	30-9-1.5	-	-	-	£5.75
4mm Torx Screws	M4 x 6 Dome Head Torx screw	-	-	-	-	£7.11
4mm Torx Driver	Replacement Torx Screwdriver	-	-	-	-	£7.11

Order Ref. No.	Dmm	Lmm	Bearing	6mm	1/4"	8mm	Shank 3/8"	12mm	1/2"
PGC9525	9.5	25	B37514	-	£31.98	-	-	-	-
PGC1274	12.7	4	B127	-	£29.61	-	-	-	-
PGC12795	12.7	9.5	B127	£29.61	£29.61	-	-	-	-
PGC12719	12.7	19	B127	£31.98	£31.98	£31.98	-	-	-
PGC127	12.7	25.4	B127	£33.17	£33.17	£33.17	-	-	-
PGC127114	12.7	32	B127	-	£34.35	-	-	-	-
PGC16	16	20	B16	-	£35.54	-	-	-	-
PGC16LK	16	25	B16	-	£43.83	-	-	-	-
PGC1911	19	11	B19/ B1912	-	£34.35	-	-	-	£40.27
PGC1925	19	25.4	B1912	-	-	-	-	£55.67	£55.67
PGC19	19	50	B1912	-	-	-	-	£58.04	£58.04
PGC1963	19	63	B1912	-	-	-	-	£72.25	£72.25
PGC2511	25	11	B25	-	-	-	-	-	£42.64
PGC25	25	25	B25	-	-	£54.49	£54.49	£54.49	£54.49
PGC2545	25	45	B25	-	-	-	-	-	£59.23
3/8-B37514	Replacement steel bearing	9.5	-	-	-	-	-	-	£11.85
1/2-B127	Replacement steel bearing	12.7	-	-	-	-	-	-	£8.29
5/8-B16	Replacement steel bearing	16	-	-	-	-	-	-	£9.48
B25/9.5	Replacement steel bearing	25	-	-	-	-	-	-	£9.48
B19	Replacement steel bearing	19	-	-	-	-	-	-	£9.48
3/4-B1912	Replacement steel bearing	19	-	-	-	-	-	-	£9.48
B25/12	Replacement steel bearing	25	-	-	-	-	-	-	£13.03
SH635/11	Replacement Collar	11 x 5mm x 1/4" bore	-	-	-	-	-	-	£3.55
SH952/11	Replacement Collar	11 x 5mm x 3/8" bore	-	-	-	-	-	-	£3.55
SH8/11	Replacement Collar	11 x 5mm x 8mm bore	-	-	-	-	-	-	£3.55
SH127/18	Replacement Collar	18 x 7mm x 1/2" bore	-	-	-	-	-	-	£3.55



Compared to a bearing trimmer, the PGC range has the advantage of being able to plunge through a skin that has been trimmed. (diagrams a, b, c on the left).

Profile Guide 90° with Oversize Bearing



PGC0127

n.max
24,000



Order Ref. No.	Dmm	Cmm	Lmm	Shank 1/4"
PGC0127	12.7	3.2	19	£40.27
B19	Replacement steel bearing	19	-	£9.48
SH635/1	Replacement Collar	11 x 5mm x 1/4" bore	-	£3.55