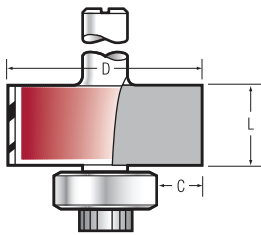


# Rebate Cutters

## TCT Rebate with Bearing



**RCB14**

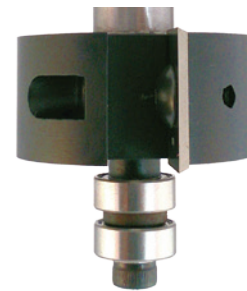
n.max  
18,000 to  
24,000



Bearing diameter of all cutters 12.7mm. Different rebates can be achieved by changing bearings, please check with Titman sales.

Order Ref. No.	Dmm	Lmm	Cmm	Shank	
				1/4"	1/2"
<b>RCB14</b>	25.4	12.7	6.3	£58.04	£62.78
<b>RCB38</b>	32	12.7	9.5	£58.04	£62.78
<b>RCB716</b>	35	12.7	11.1	£58.04	£62.78
<b>RCB12</b>	38	12.7	12.7	£58.04	£62.78
<b>1/2-B127</b>	Replacement steel bearing 12.7			£8.29	£8.29
<b>Fast-1</b>	4mm Screw			£3.55	
<b>Fast-5</b>	4mm Washer			£3.55	

## Double Bearing Guided Rebaters



**DBGR**

n.max  
18,000

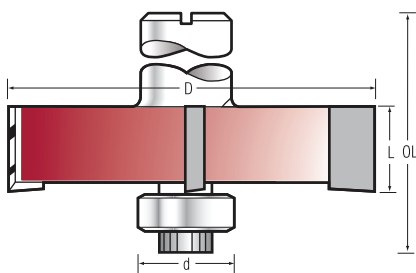
7 different rebates can be achieved with the available bearing rings. Solid carbide replacement blades rotatable. Choice of 12mm, 20mm and 30mm.

See Rings Page 15.

Order Ref. No.	Dmm	Cmm	Tip	12mm	Shank 1/2"
				£87.65	£87.65
<b>RCB9512RT</b>	38.1	12	12MM-RT		
<b>RCB9520RT</b>	38.1	20	L20-RT		£97.13
<b>RCB9530RT</b>	38.1	30	12MML-RT		£105.42
<b>12mm-RT</b>	Replacement tip 12x12x1.5				£4.74
<b>L20-RT</b>	Replacement tip 20x12x1.5				£5.92
<b>12MML-RT</b>	Replacement tip				£4.74
<b>Fast-1</b>	4mm Screw				£3.55
<b>Fast-5</b>	4mm Washer				£3.55

■ New Product

## TCT Rebate 4 Wing with Bearing



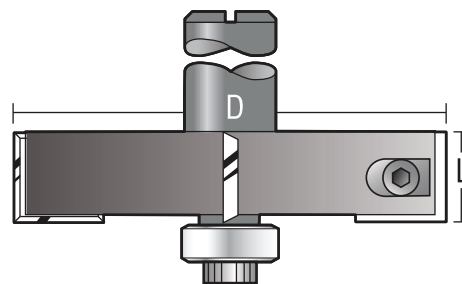
**RCB57**

n.max  
18,000



Order Ref. No.	Dmm	dmm	Lmm	OLmm	Shank 12mm
					£99.50
<b>RCB57</b>	57	12.7	15	60	
<b>1/2-B127</b>	Replacement steel bearing 12.7				£8.29
<b>Fast-1</b>	4mm Screw				£3.55
<b>Fast-5</b>	4mm Washer				£3.55

## Replacement Tip Rebate 4 Wing with Bearing



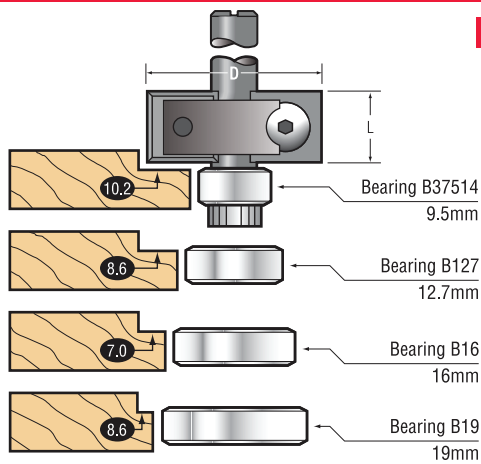
**RCB57RT**

n.max  
18,000



Order Ref. No.	Dmm	dmm	Lmm	OLmm	Shank 12mm
					£99.50
<b>RCB57RT</b>	57	12.7	12	54	
<b>1/2-B127</b>	Replacement steel bearing 12.7				£8.29
<b>L12</b>	Replacement tip 12x12x1.5				£4.74
<b>Fast-1</b>	4mm Screw				£3.55
<b>Fast-5</b>	4mm Washer				£3.55

## Replacement Tip Rebate with Bearing Set



**RCB95RT**

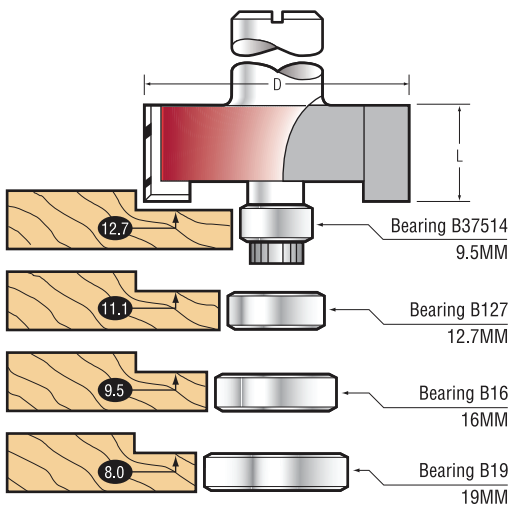
n.max  
18,000



This cutter is supplied with bearings B37514 (9.5mm diameter), B127 (12.7mm diameter), B16 (16mm diameter) and B19 (19mm diameter). By changing the bearings supplied four different rebate depths are possible. Replacements for each of the bearings are also available.

Order Ref. No.	Dmm	Lmm	OLmm	Shank	
				8mm	1/2"
<b>RCB95RT</b>	30	12	44	<b>£72.25</b>	<b>£72.25</b>
<b>3/8-B37514</b>	Replacement steel bearing	9.5			<b>£11.85</b>
<b>1/2-B127</b>	Replacement steel bearing	12.7			<b>£8.29</b>
<b>5/8-B16</b>	Replacement steel bearing	16			<b>£9.48</b>
<b>B19</b>	Replacement steel bearing	19			<b>£9.48</b>
<b>4mm Torx Screws</b>	M4 x 6 Dome Head Torx screw				<b>£7.11</b>
<b>L12</b>	Replacement tip 12x12x1.5				<b>£4.74</b>
<b>4mm Torx Driver</b>	Replacement Torx Screwdriver				<b>£7.11</b>
<b>Fast-1</b>	4mm Screw				<b>£3.55</b>
<b>Fast-5</b>	4mm Washer				<b>£3.55</b>

## TCT Rebate with Bearing Set



**RCB95-**

n.max  
18,000



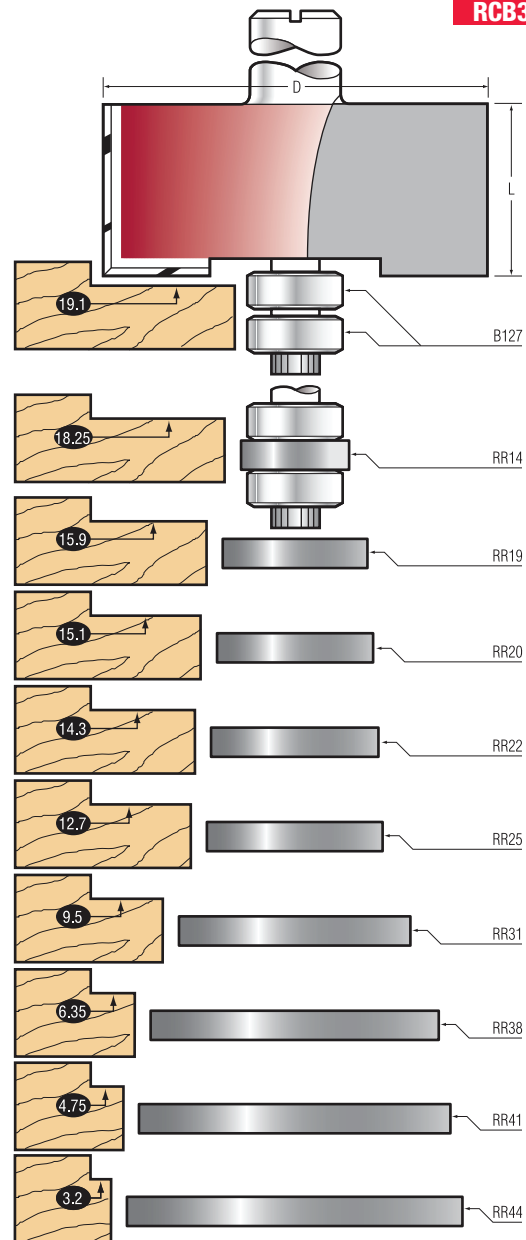
This cutter is supplied with bearings B37514 (9.5mm diameter), B127 (12.7mm diameter), B16 (16mm diameter) and B19 (19mm diameter). By changing the bearings supplied four different rebate depths are possible. Replacements for each of the bearings are also available.

Order Ref. No.	Dmm	Lmm	Shank Length	Bearing Diameter	1/4"	Shank 1/2"
<b>RCB95-127L</b>	35	12.7	60	9.5 12.7 1619	<b>£75.81</b>	
<b>3/8-B37514</b>	Replacement steel bearing	9.5			-	<b>£11.85</b>
<b>1/2-B127</b>	Replacement steel bearing	12.7			-	<b>£8.29</b>
<b>5/8-B16</b>	Replacement steel bearing	16			-	<b>£9.48</b>
<b>B19</b>	Replacement steel bearing	19			-	<b>£9.48</b>
<b>Fast-1</b>	4mm Screw					<b>£3.55</b>
<b>Fast-5</b>	4mm Washer					<b>£3.55</b>

## TCT Rebate with Bearing Sets

**RCB32-18.25**

n.max  
18,000



This cutter is supplied fitted with two B127 bearings creating a rebate of 19.1mm. Add the bearing rings between the bearings to adjust the rebate depth. Spare washers are available.

Order Ref. No.	Dmm	Cmm	Lmm	Shank	
				12mm	1/2"
<b>RCB32-18.25</b>	50.8	19.1	22.5	<b>£76.99</b>	<b>£76.99</b>
<b>1/2-B127</b>	Replacement steel bearing	12.7 rebate depth	19.1		<b>£8.29</b>
<b>RR44</b>	Replacement ring	44.4mm diameter,	3.2mm rebate depth		<b>£8.29</b>
<b>RR41</b>	Replacement ring	41.3mm diameter,	4.75mm rebate depth		<b>£8.29</b>
<b>RR38</b>	Replacement ring	38.1mm diameter,	6.35mm rebate depth		<b>£8.29</b>
<b>RR31</b>	Replacement ring	31.7mm diameter,	9.5mm rebate depth		<b>£8.29</b>
<b>RR25</b>	Replacement ring	25.4mm diameter,	12.7mm rebate depth		<b>£8.29</b>
<b>RR22</b>	Replacement ring	22mm diameter,	14.3mm rebate depth		<b>£8.29</b>
<b>RR20</b>	Replacement ring	20.6mm diameter,	15.1mm rebate depth		<b>£8.29</b>
<b>RR19</b>	Replacement ring	19.1mm diameter,	15.9mm rebate depth		<b>£8.29</b>
<b>RR14</b>	Replacement ring	14.3mm diameter,	18.45mm rebate depth		<b>£8.29</b>
<b>Fast-1</b>	4mm Screw				<b>£3.55</b>
<b>Fast-5</b>	4mm Washer				<b>£3.55</b>